

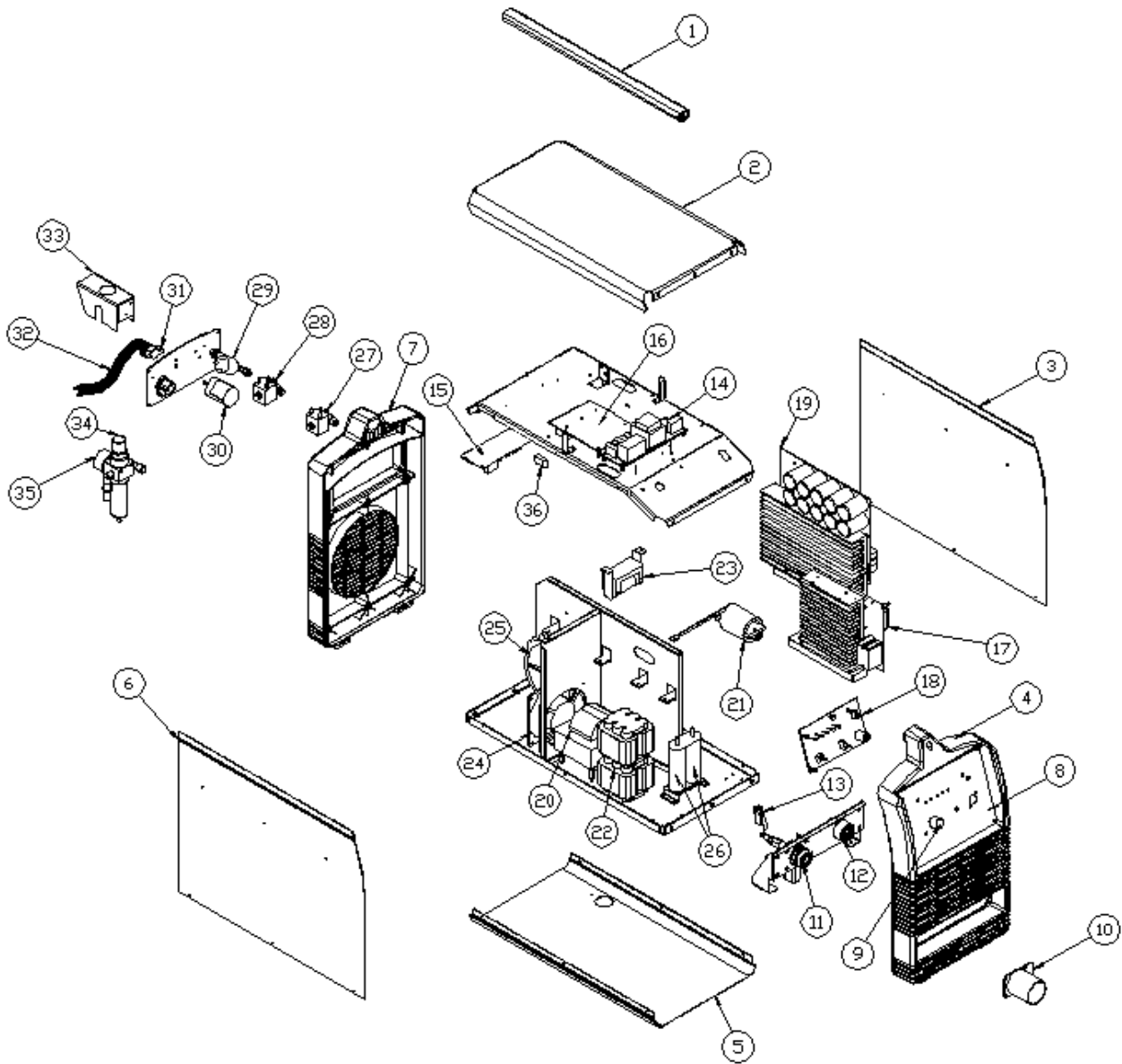
## CODE 52020

|                       |             |                     |
|-----------------------|-------------|---------------------|
| ASSEMBLY<br>PAGE NAME |             | Machine<br>Assembly |
| CODE NO.:             | FIGURE NO.: | A                   |
| 52020                 | PC105       | 1                   |

| Item | Description                      | Part Number | QTY | 1 |
|------|----------------------------------|-------------|-----|---|
| 1    | HANDLE                           | W92X0375-1R | 1   | X |
| 2    | WRAPAROUND TOP                   | W93X0606R   | 1   | X |
| 3    | WRAPAROUND LEFT SIDE WITH DECAL  | W93X0602R   | 1   | X |
| 4    | FRONT PANEL                      | W95X0355R   | 1   | X |
| 5    | EXTERNAL BASE                    | W93X0387R   | 1   | X |
| 6    | WRAPAROUND RIGHT SIDE WITH DECAL | W93X0601R   | 1   | X |
| 7    | REAR PANEL                       | W95X0356R   | 1   | X |
| 8    | CONTROL PANEL WITH DECAL         | W93X0588R   | 1   | X |
| 9    | KNOB                             | W8700022R   | 1   | X |
| 10   | TORCH PROTECTION                 | W93X0595R   | 1   | X |
| 11   | TORCH SHROUD                     | W0300118A   | 1   | X |
| 12   | DINSE CONNECTOR                  | W7600025R   | 1   | X |
| 13   | MICROSWITCH                      | W7500001R   | 1   | X |
| 14   | HF P.C. BOARD                    | W050091C    | 1   | X |
| 15   | FILTER P.C. BOARD                | W0518600R   | 1   | X |
| 16   | INPUT PI400 P.C. BOARD           | W052790MR   | 1   | X |
| 17   | OUT 100A P.C. BOARD              | W052990KR   | 1   | X |
| 18   | SCTP96 P.C. BOARD                | W0524600R   | 1   | X |
| 19   | INVERTER P.C. BOARD              | W05X0638R   | 1   | X |
| 20   | INDUCTOR OUT 100A                | W5894241R   | 1   | X |
| 21   | INDUCTOR                         | W5894280R   | 1   | X |
| 22   | TRASFORMER OUT 100A              | W5994242R   | 1   | X |
| 23   | TRASFORMER HF 100A               | W59X0637R   | 1   | X |
| 24   | FRONT FAN                        | W7200004R   | 1   | X |
| 25   | SIDE FAN (MAIN)                  | W7200007R   | 1   | X |
| 26   | RESISTOR 50OHM 80W               | W1820504R   | 2   | X |
| 27   | ELECTROVALVE DRILLED             | W85000F6    | 1   | X |
| 28   | ELECTROVALVE                     | W8500006R   | 1   | X |
| 29   | PRESSURE SWITCH                  | W8800019R   | 1   | X |
| 30   | MAIN SWITCH                      | W7511703R   | 1   | X |
| 31   | CABLE CLAMP                      | W8403222R   | 1   | X |
| 32   | INPUT CORD                       | W78X0678R   | 1   | X |
| 33   | PRESSURE REGOLATOR SUPPORT       | W93X0583R   | 1   | X |
| 34   | PRESSURE REGOLATOR               | W8800021R   | 1   | X |
| 35   | PRESSURE METER                   | W8800018R   | 1   | X |
| 36   | CAPACITOR ASSEMBLY               | W66X0673R   | 1   | X |

**Miscellaneous Items (not showed in figure A)**

| Item | Description     | Part Number | QTY | 1 | 2 |
|------|-----------------|-------------|-----|---|---|
|      | TIME DELAY FUSE | W7300500R   | 1   | X |   |



**Figure A**