

CODE 52062

ASSEMBLY PAGE NAME		Machine Assembly
CODE NO.:	FIGURE NO.:	
52062	PC620	1

Figure A: Machine Assembly

Item	Description	Part Number	QTY	1
1	HANDLE	W92X0228-2R	1	X
2	WRAPAROUND	W93X0326R	1	X
	+ SIDE NAMEPLATES	W07X0863R	1	X
3	FRONT PANEL	W95X0331R	1	X
4	EXTERNAL BASE	W93X0619R	1	X
5	REAR PANEL	W95X0332R	1	X
6	CONTROL PANEL	W93X0797R	1	X
	+ FRONT NAMEPLATE	W07X0862R	1	X
7	KNOB	W8700030R	1	X
9	TORCH SHROUD	W03X0933R	1	X
10	DINSE CONNECTOR	W7600025R	1	X
13	FILTER P.C. BOARD	W0518500R	1	X
14	INPUT PI200 P.C. BOARD	W0594034R	1	X
15	OUT 65A P.C. BOARD	W05X0684R	1	X
16	SCTP94 LIFT P.C. BOARD	W05X0467R	1	X
17	INVERTER P.C. BOARD	W05X0683R	1	X
18	INDUCTOR OUT 60A	W5894144R	1	X
19	TRASFORMER OUT 60A	W59X0645R	1	X
21	FAN	W7200007R	1	X
22	RESISTOR 50OHM 80W	W1820504R	2	X
24	ELECTROVALVE	W8500010R	1	X
25	PRESSURE SWITCH	W8800019R	1	X
26	MAIN SWITCH	W7500203R	1	X
27	CABLE CLAMP	W8400006R	1	X
28	INPUT CORD	W78X0952R	1	X
29	PRESSURE REGOLATOR SUPPORT	W93X0583R	1	X
30	PRESSURE REGOLATOR	W8800021R	1	X
31	PRESSURE METER	W8800018R	1	X
32	CARRYING STRAP	W92X0264R	1	X

Miscellaneous Items (not showed in figure A)

Item	Description	Part Number	QTY	1
	TIME DELAY FUSE	W7300500R	1	X

PC620

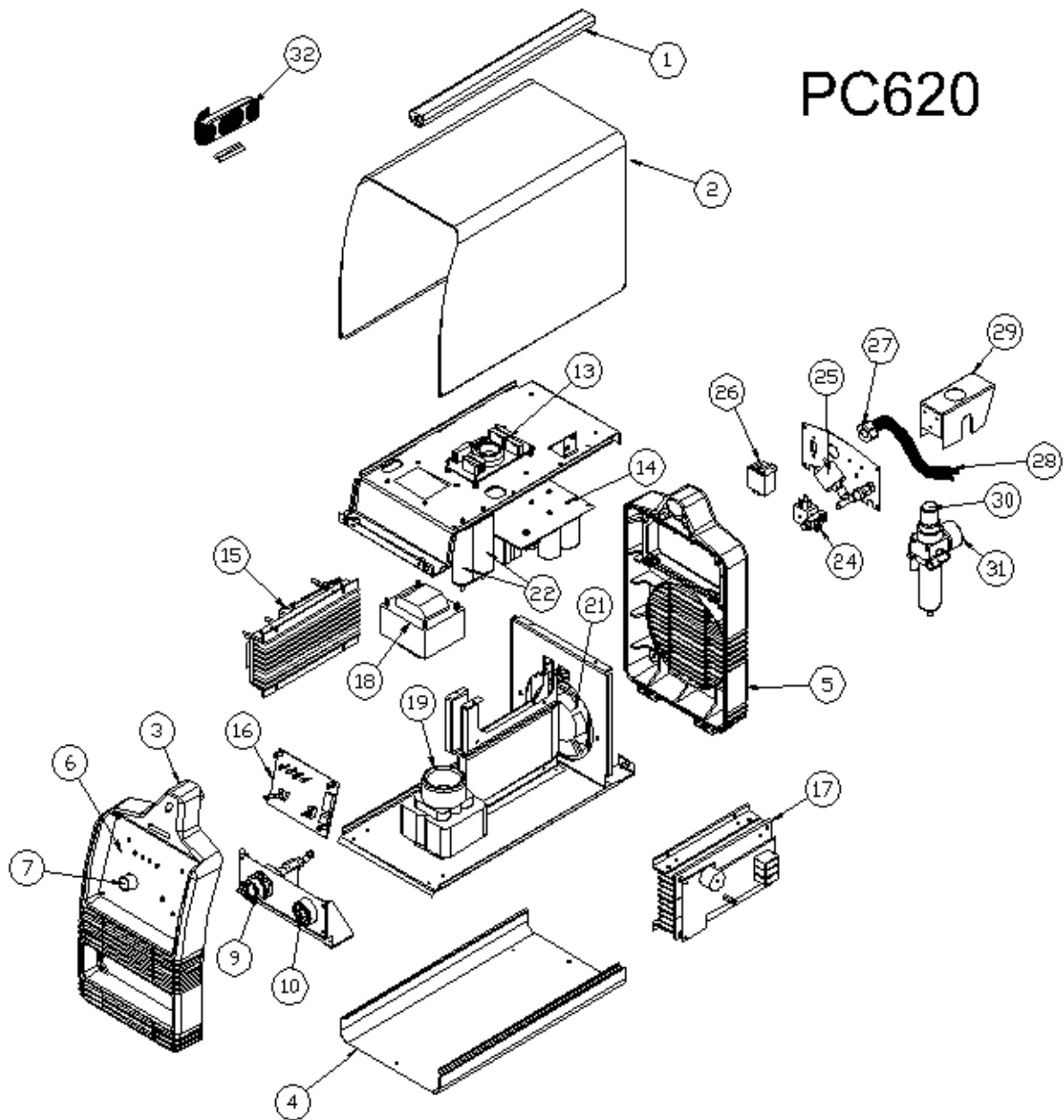


Figure A