

CODE 52070, 5073, 5074, 5075

ASSEMBLY PAGE NAME		Machine Assembly
CODE NO.:	FIGURE NO.:	A
52070	PC208 CE	1
52073	PC210 CE	2
52074	PC208 AUS	3
52075	PC210 AUS	4

Figure A: Machine Assembly

Item	Description	Part Number	QTY	1	2	3	4
1	FRONT PANEL	W95X0331R	1	X	X	X	X
2	REAR PANEL	W95X0332R	1	X	X	X	X
3	HANDLE	W92X0228-2R	1	X	X	X	X
4	BASE	W93X0977R	1	X	X	X	X
	+ ANTI-SLIP FOOT	W8400045R	4	X	X	X	X
5	WRAPAROUND	W93X0980R	1	X	•	X	•
	+ SIDE NAMEPLATES	W07X1000R	1	X	•	X	•
	WRAPAROUND	W93X0980R	1	•	X	•	X
	+ SIDE NAMEPLATES	W07X1012R	1	•	X	•	X
6	CONTROL PANEL	W93X0986-1R	1	X	•	X	•
	+ FRONT NAMEPLATE	W07X0999R	1	X	•	X	•
	CONTROL PANEL	W93X0986-2R	1	•	X	•	X
	+ FRONT NAMEPLATE	W07X1011R	1	•	X	•	X
7	INVERTER P.C. BOARD	W05X0990R	1	X	X	X	X
8	CONTROL P.C. BOARD	W05X0991R	1	X	X	X	X
9	COMPRESSOR 50Hz	W88X1010-1R	1	X	X	X	X
10	AIR FILTER (INTERNAL / EXTERNAL AIR)	W8800200R	1	X	X	X	X
11	AIR FILTER (INTERNAL COMPRESSOR AIR)	W8800206R	1	X	X	X	X
12	PRESSURE SWITCH	W8800019R	1	•	X	•	X
13	AIR INLET PASS-THROUGH	W8800051R	1	•	X	•	X
14	ELECTROVALVE	W8800202R	1	•	X	•	X
15	PRESSURE GAUGE WITH PRESSURE REGULATOR	W8800203R	1	•	X	•	X
16	SINGLE-DIRECTION AIR VALVE	W8800208R	1	•	X	•	X
17	SWITCH (AIR SELECTION)	W7516224R	1	•	X	•	X
18	SWITCH (POWER)	W7516224R	1	X	X	X	X
19	INPUT CORD EUROPE	W78X0930R	1	X	X	•	•
	INPUT CORD AUSTRALIA	W78X0812R	1	•	•	X	X
20	CABLE CLAMP (INPUT CORD)	W8400006R	1	X	X	X	X
21	WORKPIECE CABLE	GRD-060A-06-3MR	1	X	X	X	X
22	CABLE CLAMP (WORKPIECE CABLE)	W8400005R	1	X	X	X	X
23	PLASMA TORCH	→ see LC25 page	1	X	X	X	X

24	KNOB	W8780521R	1	X	X	X	X
25	FAN	W7200004R	2	X	X	X	X
26	VIBRATIONS MOUNT	W8400046R	4	X	X	X	X

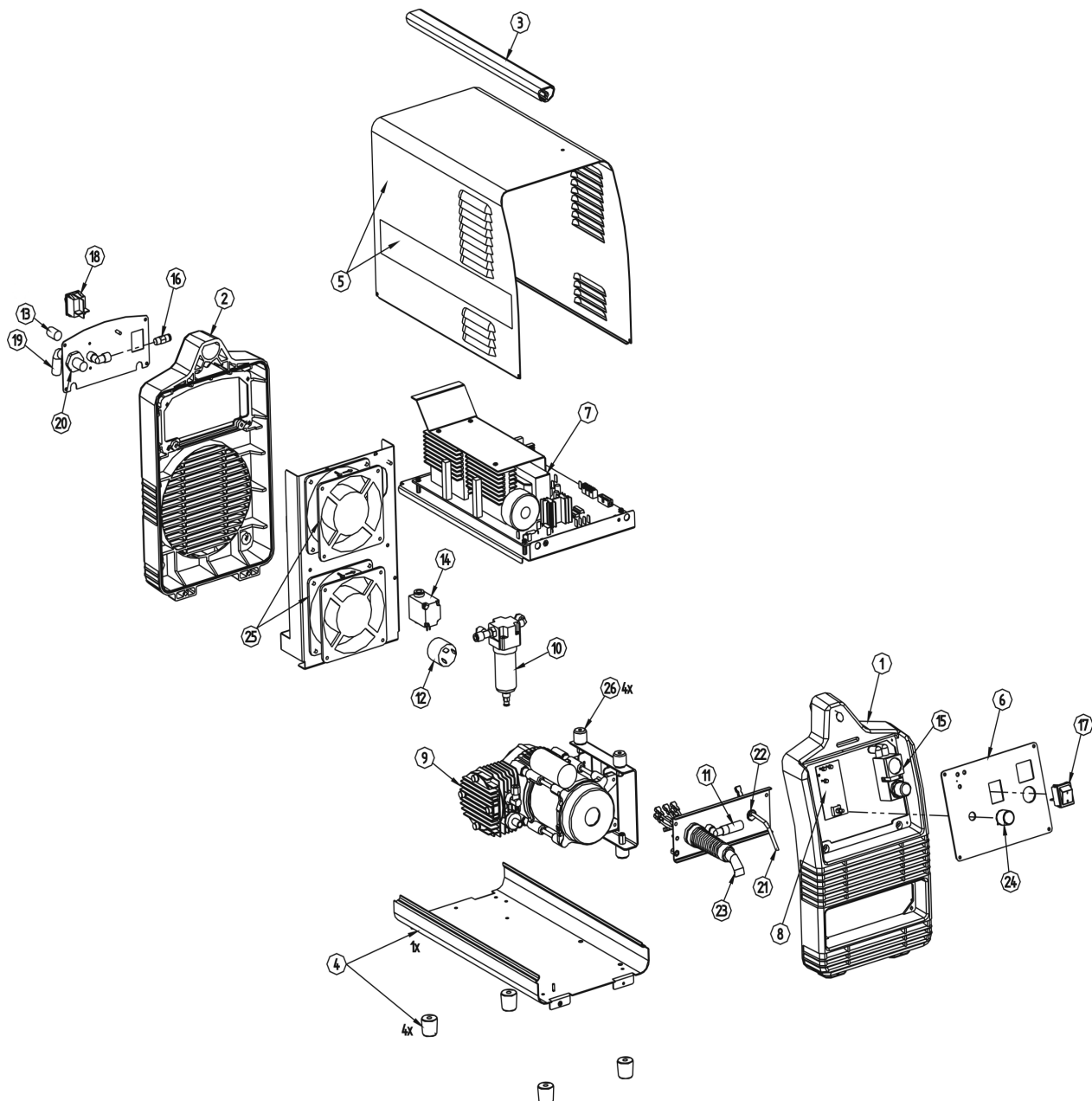


Figure A