

POWERTEC

305C PRO, 355C PRO & 425C PRO

Spare Parts.....	1
POWERTEC 305C PRO, 355C PRO & 425C PRO	1
Figure A: Machine Assembly Part A.....	1
Figure B: Machine Assembly Part B.....	3
Figure C: Machine Assembly Part C	4
Figure D: Wire Drive Assembly	5
Electrical Schematic.....	6
POWERTEC 305C PRO	6
POWERTEC 355C PRO, 425C PRO, 425C PRO WATER.....	7
WEEE	8



Spare Parts

SP50143/50144/50146 Rev. 0
07/03

POWERTEC 305C PRO, 355C PRO & 425C PRO

ASSEMBLY PAGE NAME			Machine Assembly Part A	Machine Assembly Part B	Machine Assembly Part C	Wire Drive Assembly			
CODE NO.:	K NO.:	FIGURE NO.:	A	B	C	D			
50143	K14057-1	POWERTEC 305C PRO	1	1	1	1			
50144	K14058-1	POWERTEC 355C PRO	2	2	2	1			
50146	K14059-1A	POWERTEC 425C PRO	3	3	3	1			

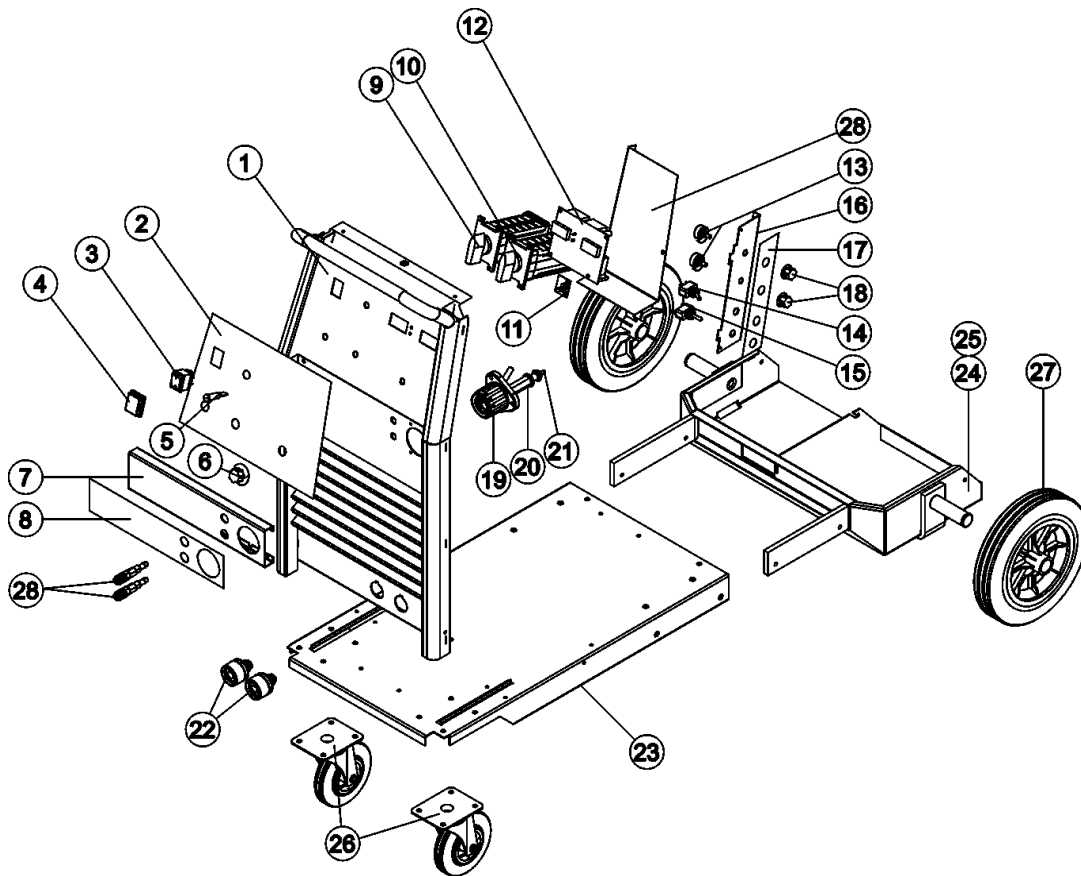


Figure A

Figure A: Machine Assembly Part A

Item	Description	Part Number	QTY	1	2	3	4
1	FRONT PANEL	R-3019-139-1/08R	1	X	•	•	
	FRONT PANEL	R-3019-139-2/08R	1	•	X	X	
2	LABEL	R-0010-217-1R	1	•	X	X	
	LABEL	R-0010-244-1R	1	X	•	•	
3	SWITCH W4,8 GREEN	1115-270-019R	1	X	X	X	
4	BLACK FRAME SHIELD	1115-299-073R	1	X	X	X	
5	LAMP	0917-421-024R	1	X	X	X	
6	KNOB FI-38	9ET10491R	1	X	X	X	
7	COVER	R-1019-155-1/02R	1	X	X	X	
8	LABEL	R-0010-211-1R	1	X	•	•	
	LABEL	R-0010-212-1R	1	•	X	•	
	LABEL	R-0010-214-1R	1	•	•	X	

9	CAM SWITCH LK25	1115-260-166R	1	X	•	•
	CAM SWITCH LK40	1115-260-073R	1	•	X	X
10	CAM SWITCH LK25	1115-260-167R	1	X	•	•
	CAM SWITCH LK40	1115-260-074R	1	•	X	X
11	PD-5 PC BOARD	0918-432-073R	1	X	X	X
12	US-67 PC BOARD	C-3731-400-2R	1	X	X	X
13	POTENTIOMETER	1158-113-304R	1	X	X	X
14	SWITCH 2FA53-73	1158-650-021R	1	X	X	X
15	SWITCH 6FC53-73	1158-650-022R	1	X	X	X
16	COVER	R-1019-186-1/08R	1	X	X	X
17	LABEL	R-0010-219-1R	1	X	X	X
18	KNOB FI-25	9ET13639-3R	2	X	X	X
19	EURO SLEEVE	1361-599-708R	1	X	X	X
20	EURO SOCKET	C-2985-006-1R	1	X	X	X
21	GUIDE WIRE	D-1829-066-4R	1	X	X	X
22	SOCKET	C-2986-001-2R	2	X	•	•
	SOCKET	C-2986-001-3R	2	•	X	X
23	BASE	R-1019-150-1/08R	1	X	X	X
24	SHELF	R-3019-042-1/08R	1	X	X	•
25	SHELF	R-3019-026-1/08R	1	•	•	X
26	CASTER DIA 125	1029-660-127R	2	X	X	X
27	WHEEL SC250	1029-660-250R	2	X	X	X
28	COVER	R-1019-187-1/08R	2	X	X	X

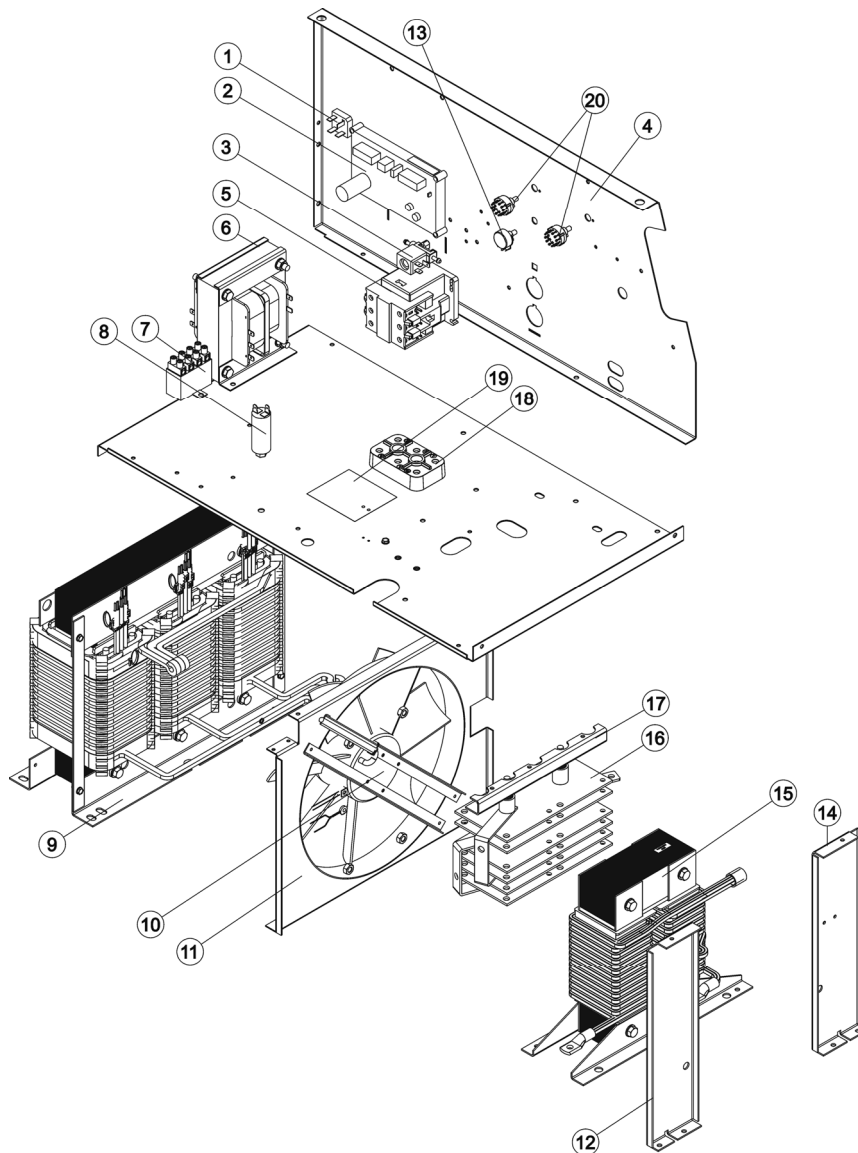


Figure B

Figure B: Machine Assembly Part B

Item	Description	Part Number	QTY	1	2	3	4
1	BRIDGE RECTIFIER	1156-112-044R	1	X	X	X	
2	PC BOARD CIRCUIT	C-3731-399-3R	1	X	X	X	
3	SOLENOID GAS SWITH	0972-423-012R	1	X	X	X	
4	DIVIDER	R-3019-136-1/08R	1	X	X	X	
5	CONTACTOR CI-30	1115-212-201R	1	X	•	•	
	CONTACTOR CI-45	1115-212-242R	1	•	X	•	
	CONTACTOR CI-50	1115-212-243R	1	•	•	X	
6	TRANSFORMER	C-4244-384-1R	1	X	X	X	
7	FILTER RC 3F	0874-400-011R	1	X	X	X	
8	CAPACITOR TC886	1158-121-001R	1	X	X	X	
9	MAIN TRANSFORMER	R-4034-058-1R	1	X	•	•	
	MAIN TRANSFORMER	R-4034-069-1R	1	•	X	•	
	MAIN TRANSFORMER	R-4034-068-1R	1	•	•	X	
10	FAN ASSEMBLY	R-8040-055-3R	1	X	X	X	
11	WALL RING	R-3019-135-1/08R	1	X	X	X	
12	BRACKET	R-1019-176-1/08R	1	X	X	X	
13	POTENTIOMETER	1158-113-304R	1	X	X	X	
14	BRACKET	R-1019-176-2/08R	1	X	X	X	
15	CHOCKE	R-4034-091-1R	1	X	X	X	
16	3-PHASE BRIDGE RECTIFIER	R-0010-240-1R	1	X	•	•	
	3-PHASE BRIDGE RECTIFIER	R-0010-241-1R	1	•	X	•	
	3-PHASE BRIDGE RECTIFIER	R-0010-242-1R	1	•	•	X	
	THERMAL SENSOR 115C	1115-769-004R	1	X	X	X	
	THERMAL SENSOR 80C	1115-769-003R	1	X	X	X	
17	BRACKET	R-1019-175-1/08R	1	X	X	X	
18	TERMINAL BLOCK	1361-599-255R	1	X	X	X	
19	LABEL	R-0010-221-1R	1	X	X	X	
20	SWITCH-PRS	D-4542-012-2R	2	X	X	X	

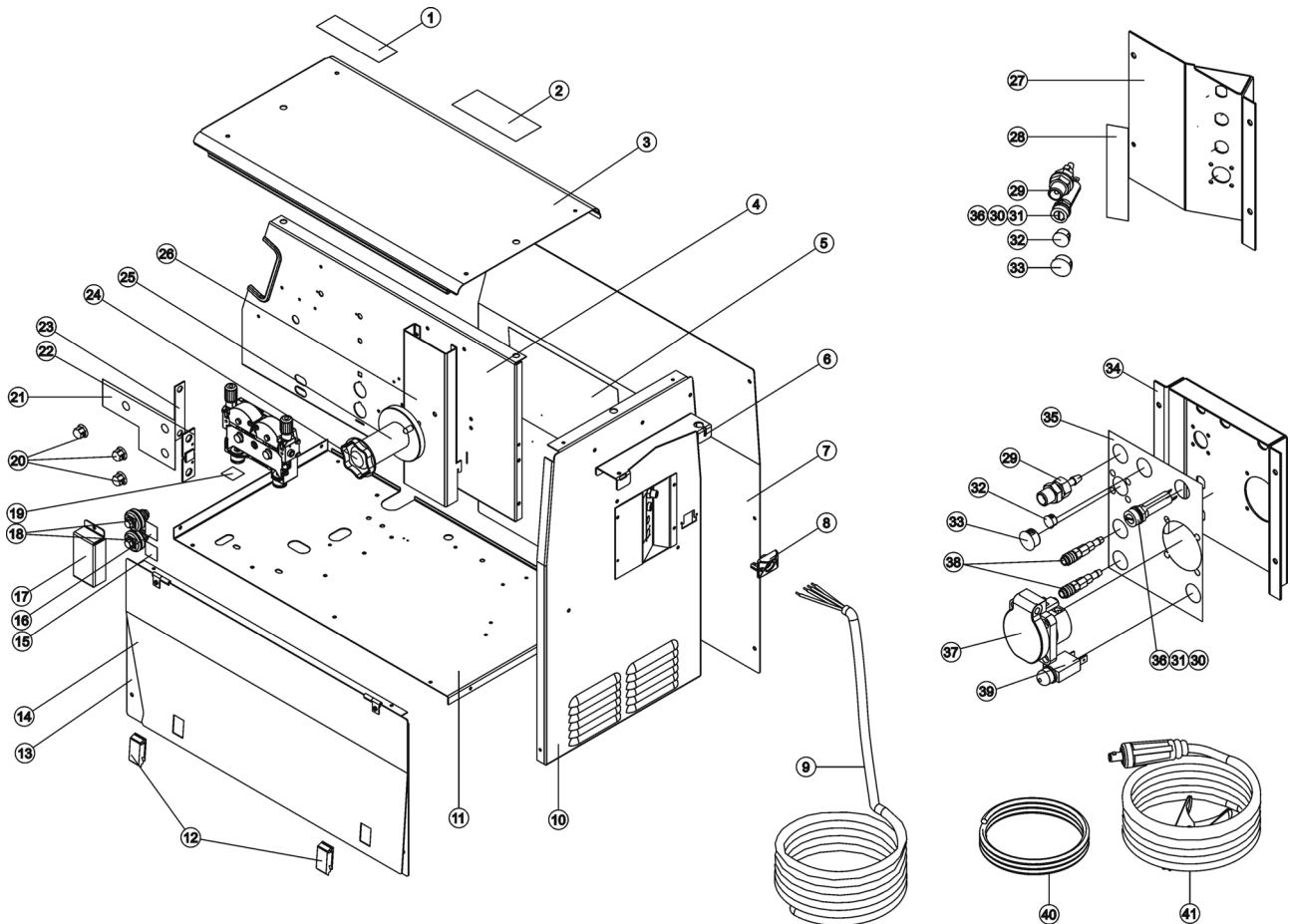


Figure C

Figure C: Machine Assembly Part C

Item	Description	Part Number	QTY	1	2	3	4
1	LABEL	2719-107-728R	1	X	X	X	
2	LABEL	R-0010-279-1R	1	X	X	X	
3	COVER	R-1019-154-1/02R	1	X	X	X	
4	DIVIDER	R-3019-136-1/08R	1	X	X	X	
5	LABEL	R-0010-269-1R	1	•	X	X	
	LABEL	R-0010-262-1R	1	X	•	•	
6	SUPPORT	R-1019-153-1/08R	1	X	X	X	
7	LEFT SIDE PANEL	R-1019-177-1R	1	X	X	X	
8	CABLE RELEIF	R-0010-258-1R	1	X	X	X	
9	POWER CABLE	D-5578-171-2R	1	X	X	•	
	POWER CABLE	D-5578-171-3R	1	•	•	X	
10	BACK PANEL	R-3019-137-1/08R	1	X	X	X	
11	SHELF	R-3019-128-1/08R	1	X	X	X	
12	BOLT	0654-610-004R	2	X	X	X	
13	SIDE PANEL	R-3019-140-1/02R	1	X	X	X	
14	SIDE PANEL	R-1019-184-1R	1	X	X	X	
15	LABEL	R-0010-281-2R	1	X	X	X	
16	LABEL	R-0010-281-1R	1	X	X	X	
17	COVER	R-1019-158-1/08R	1	X	X	X	
18	POLARISATION SOCKET	R-8040-235-1R	2	X	X	X	
19	LABEL	2719-107-732R	1	X	X	X	
20	KNOB FI25	9ET13639-3R	3	X	X	X	
21	LABEL	R-0010-275-1R	1	X	X	X	
22	SHUNT	0941-712-026R	1	X	X	X	
23	LEAD	D-2218-186-1R	1	X	X	X	
24	PLASIC CAP	B11035-1	1	X	X	X	
25	REEL HUB STANDARD	0744-000-192R	1	X	X	X	
26	BRACKET	R-1019-159-1/08R	1	X	X	X	
27	PANEL	R-1019-156-1/08R	1	X	X	•	
28	LABEL	R-0010-223-1R	1	X	X	•	
29	HOSE CONNECTION	D-1891-135-1R	1	X	X	X	
30	FUSE SOCKET	1158-632-032R	1	X	X	X	
31	CAP	1158-632-033R	1	X	X	X	
32	HOLE PLUG	1119-510-005R	1	X	X	X	
33	HOLE PLUG	1361-599-058R	1	X	X	X	
34	PANEL	R-1019-157-1/08R	1	•	•	x	
35	LABEL	R-0010-222-1R	1	•	•	X	
36	FUSE	1158-660-006R	1	X	X	X	
37	SOCKET 1-PHASE	1131-222-004R	1	•	•	X	
38	QUICK COUPLING	0744-000-150R	2	•	•	X	
39	FUSE	1115-299-027R	1	•	•	X	
40	REINFORCED HOSE	D-5578-174-1R	1	X	X	X	
41	WELDING CABLE	K14011-1R	1	X	•	•	
	WELDING CABLE	K14019-1R	1	•	X	•	
	WELDING CABLE	K14019-1R	1	•	•	X	

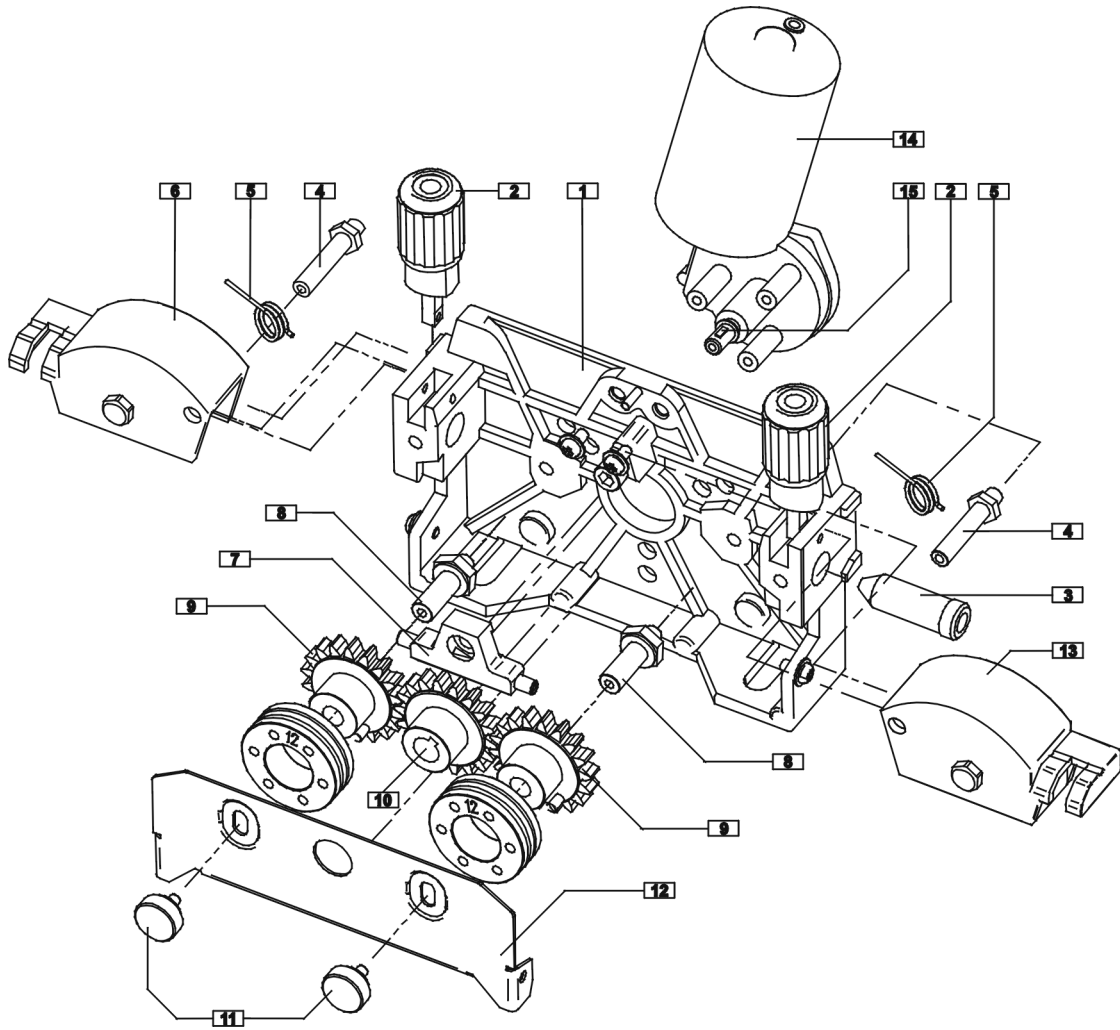


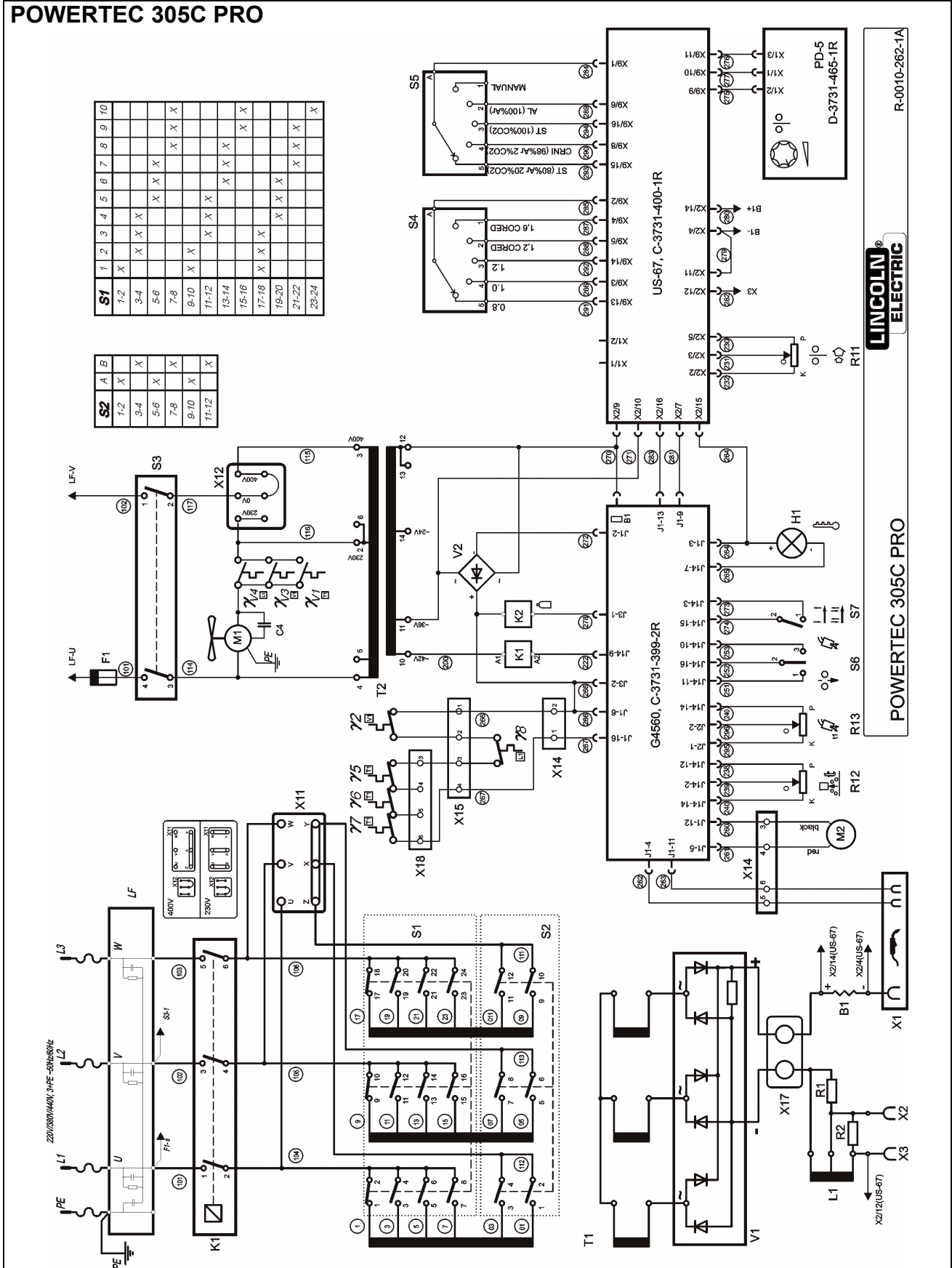
Figure D

Figure D: Wire Drive Assembly

Item	Description	Part Number	QTY	1	2	3	4
	WIRE FEEDER COMPL.	0744-000-165R	1	X			
1	FEED PLATE	0646-233-002R	1	X			
2	FIXING ARM COMPL.	0646-233-015R	2	X			
3	INLET GUIDE	0646-233-025R	1	X			
4	AXIS PRESSURE ARM	0646-233-003R	2	X			
5	SPRING PRESSURE ARM	0646-233-013R	2	X			
6	PRESSURE ARM COMPL.L	0646-233-007R	1	X			
7	INTERMEDIATE GUIDE	0646-233-023R	1	X			
8	AXIS DRIVE ROLL	0646-233-020R	2	X			
9	GEAR WHEEL ROLL	0646-231-090R	2	X			
10	GEAR WHEEL MOTOR	0646-233-028R	1	X			
11	FIXING CAP	0744-000-190R	2	X			
12	METAL COVER	0646-233-027R	1	X			
13	PRESSURE ARM COMPL.R	0646-233-005R	1	X			
14	MOTOR -38V	1111-722-047R	1	X			
15	WOODRUFF KEY	0646-231-102R	1	X			

Electrical Schematic

POWERTEC 305C PRO

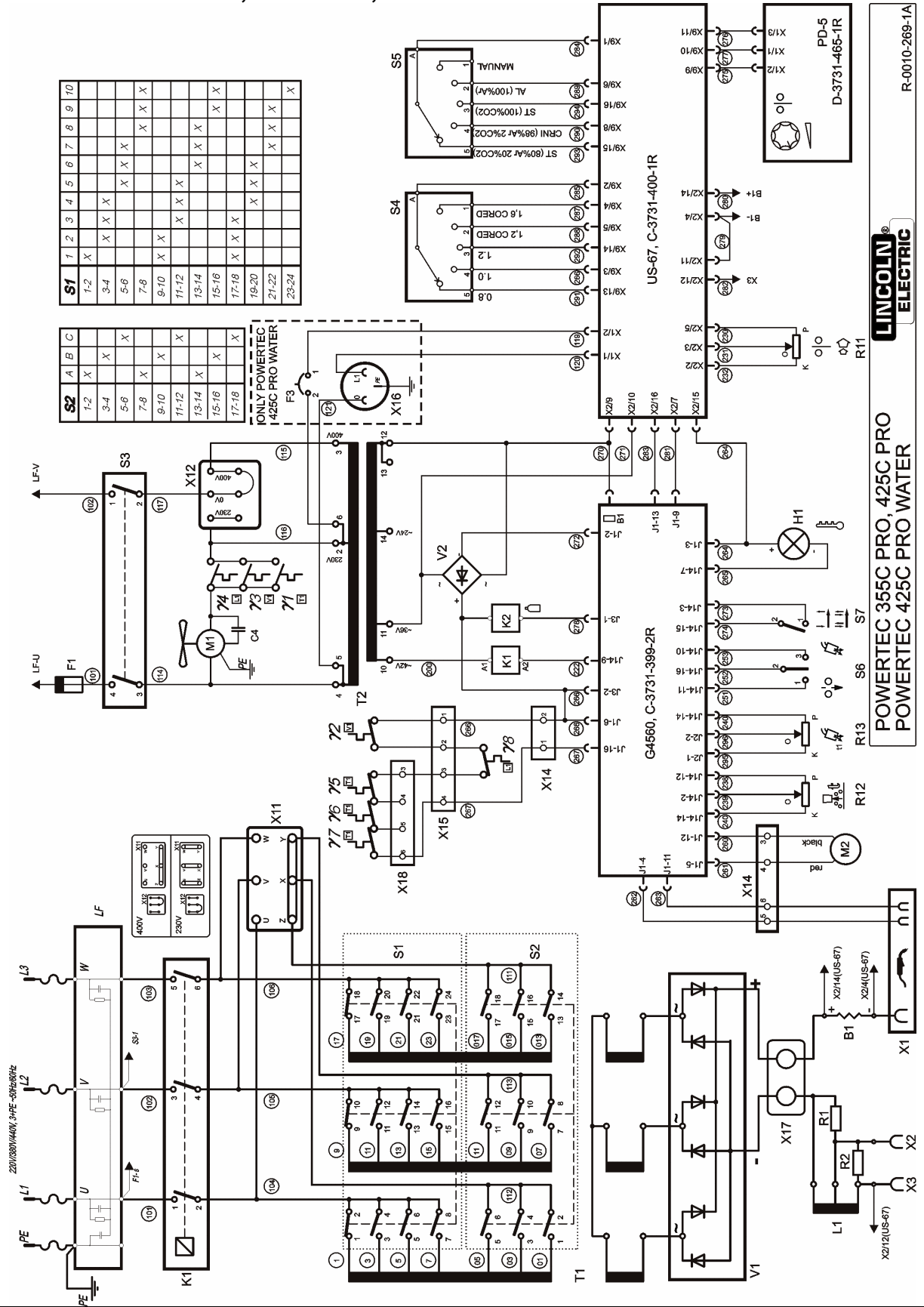


LINCOLN
ELECTRIC

POWERTEC 305C PRO

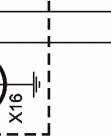
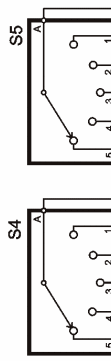
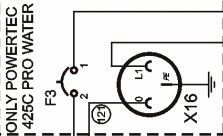
R-0010-262-1A

POWERTEC 355C PRO, 425C PRO, 425C PRO WATER



S1	1	2	3	4	5	6	7	8	9	10
1-2	X									
3-4		X	X	X						
5-6					X	X	X	X		
7-8									X	X
9-10		X	X	X	X	X	X	X		
11-12									X	X
13-14									X	X
15-16									X	X
17-18									X	X
19-20									X	X
21-22									X	X
23-24									X	X

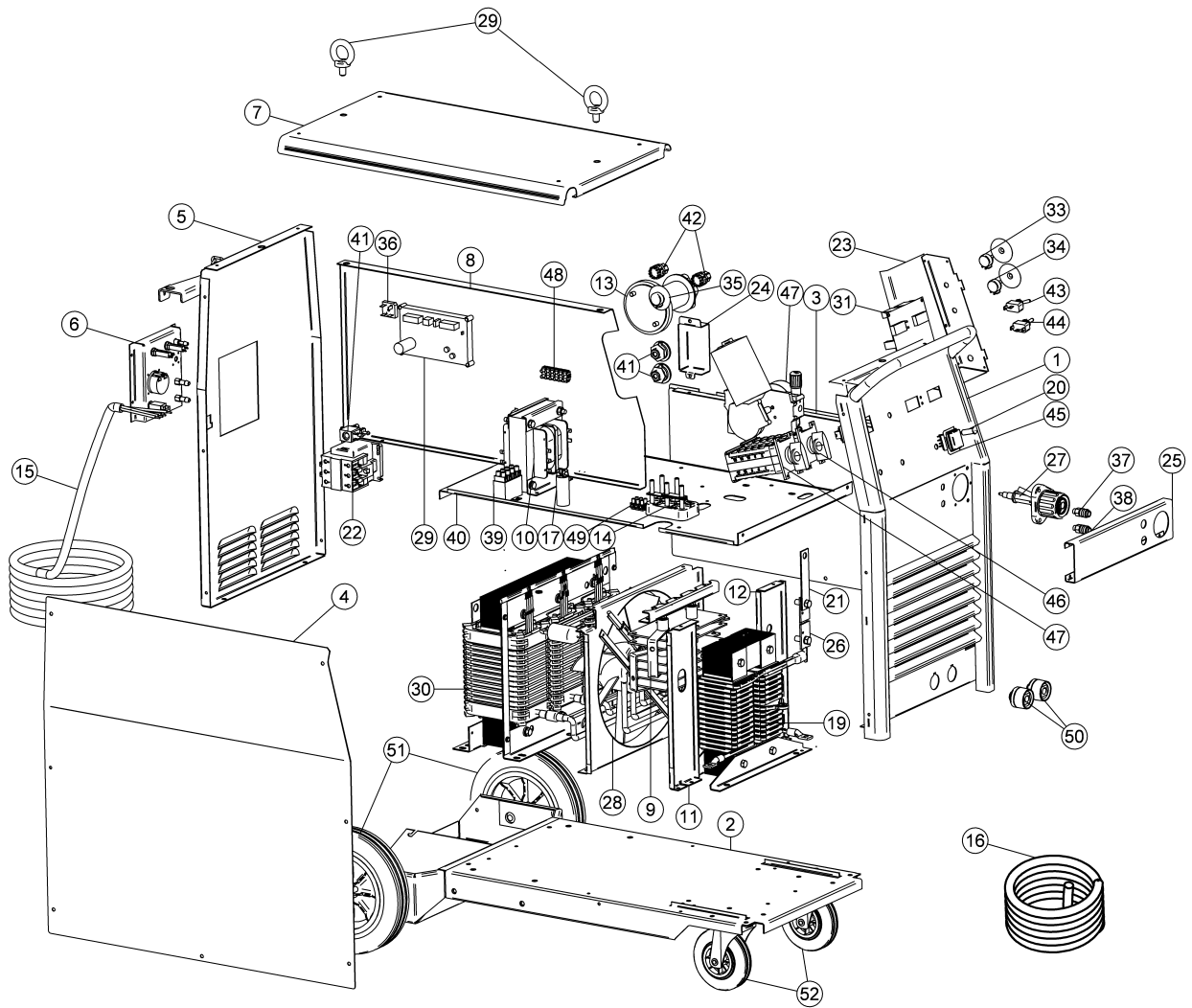
S2	A	B	C
1-2	X		
3-4		X	X
5-6			X
7-8		X	X
9-10		X	X
11-12		X	X
13-14		X	X
15-16		X	X
17-18			X



LINCOLN®
ELECTRIC

POWERTEC 355C PRO, 425C PRO
POWERTEC 425C PRO WATER

R-0010-269-1A



	Recycle					ST				
	Ref.	Fe	Al	Cu	Brass	Boards	Plastics	Liquid Cristal	External Electric Cables	Capacitors
Front Panel Assembly	1	X								
Base Assembly	2	X								
Right Side Access Panel	3	X								
Left Side Panel	4	X								
Rear Panel Assembly	5	X								
Panel Assembly	6	X								
Top Panel Assembly	7	X								
Divider Panel Asseby	8	X								
3-phase Bridge Rectifier	9		X				X			
Auxiliary Transformer	10	X		X			X			
Bracket	11,12	X								
Brake	13						X			
Bus Bar	14			X	X		X			
Cables	15, 16			X			X		X	
Capacitor	17									X
Chain	18	X								
Choke	19	X		X			X			
Colorless Lamp	20						X			
Conductor Rail	21			X						
Contacto	22	X		X						
Cover	23,24,25	X								
Czech Shunt	26			X						
Euro Connector Assembly	27				X		X			
Fan Assembly	28	X		X						
Lug Screws	29	X								
Main Transformer	30	X		X			X			
P.C.Board Assembly US-67	31					X	X			
P.C.Board Assembly G4560	32					X	X			
Potentiometers	33,34,35						X			
Rectifier Bridge	36	X								
Reinforced Hoses	37,38				X		X			
RC Filter	39						X			
Shelf	40	X								
Solenoid Valve	41			X	X		X			
Switches	42,43,44, 45,46,47	X					X			
Terminal Blocks	48,49	X					X			
Welding Socket	50				X		X			
Wheels	51,52	X					X			
Wire Drive Motor Assembly	53	X	X	X			X			