

# POWERTEC

## 305S, 365S, 425S & 505S

---

Spare Parts.....	1
POWERTEC 305S, 365S, 425S & 505S.....	1
Figure A: Machine Assembly 1 - 305S.....	2
Figure B: Machine Assembly 2 - 305S.....	3
Figure C: Machine Assembly 3 - 305S.....	3
Figure D: Machine Assembly 1 - 365S / 425S / 505S.....	4
Figure E: Machine Assembly 2 - 365S / 425S / 505S.....	5
Figure F: Machine Assembly 3 - 365S / 425S / 505S.....	6
Electrical Schematic.....	7
WEEE.....	10



LINCOLN ELECTRIC BESTER S.A.  
ul. Jana III Sobieskiego 19A, 58-260 Bielawa, Poland  
[www.lincolnelectric.eu](http://www.lincolnelectric.eu)

# Spare Parts

SP50147/50148/50150/50152 Rev. 0  
07/03

## POWERTEC 305S, 365S, 425S & 505S

ASSEMBLY PAGE NAME			Machine Assembly 1 305S	Machine Assembly 2 305S	Machine Assembly 3 305S	Machine Assembly 1 365S / 425S / 505S	Machine Assembly 2 365S / 425S / 505S	Machine Assembly 3 365S / 425S / 505S	
CODE NO.:	K NO.:	FIGURE NO.:	A	B	C	D	E	F	
50147	K14060-1	POWERTEC 305S	1	1	1	-	-	-	
50148	K14061-1A	POWERTEC 365S	-	-	-	1	1	1	
50150	K14062-1A	POWERTEC 425S	-	-	-	2	2	2	
50152	K14063-1A	POWERTEC 505S	-	-	-	3	3	3	

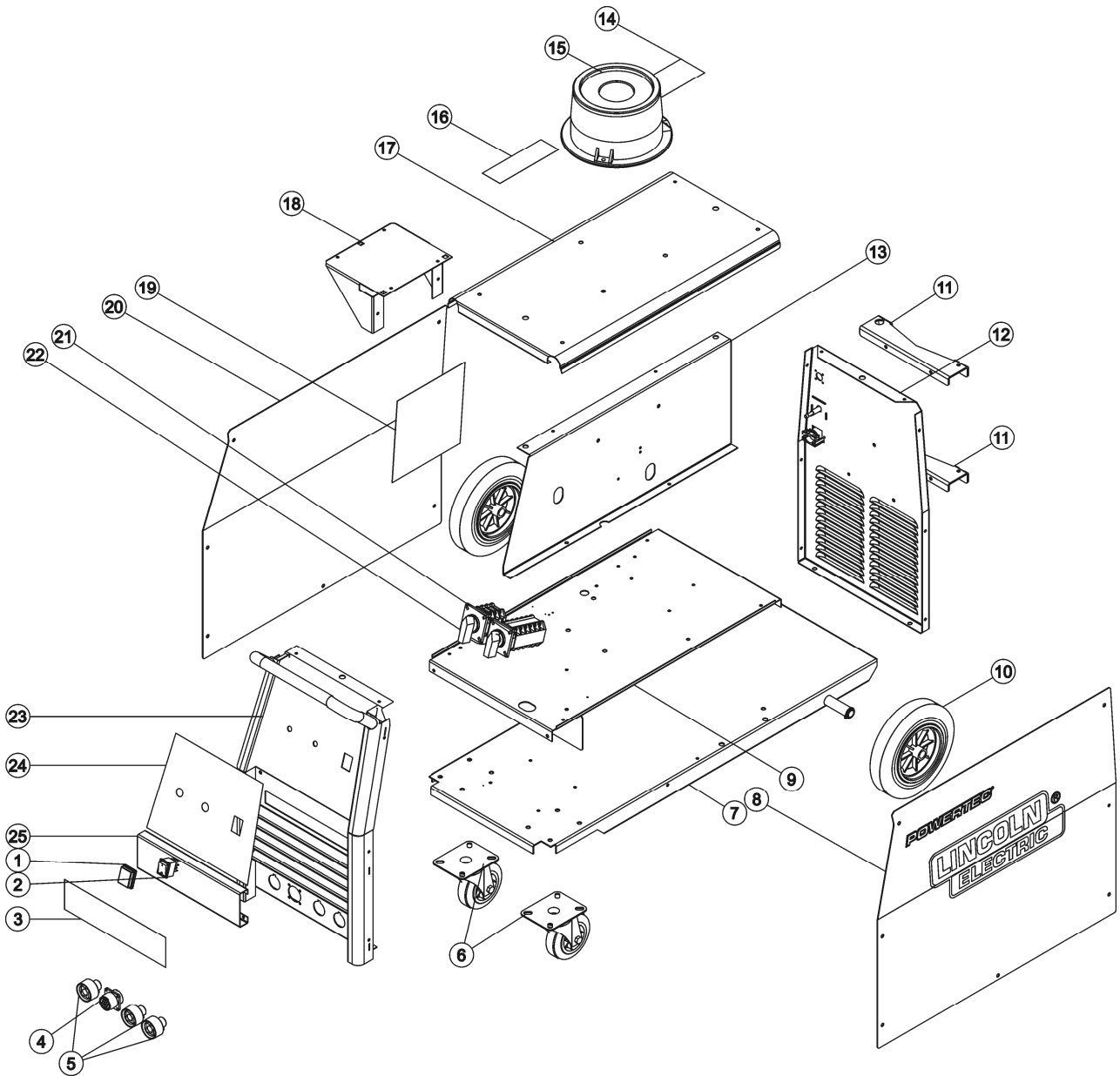


Figure A

**Figure A: Machine Assembly 1 - 305S**

Item	Description	Part Number	QTY	1	2	3	4	5	6	7
1	BLACK FRAME SHIELD	1115-299-073R	1	X						
2	SWITCH	1115-270-019R	1	X						
3	LABEL	R-0010-237-1R	1	X						
4	SOCKET	1158-641-130R	1	X						
5	SOCKET	C-2986-001-2R	3	X						
6	TURNING WHEEL	1029-660-101R	2	X						
7	BASE	R-3019-179-1/08R	1	X						
8	RIGHT SIDE PANEL	R-1019-219-1R	1	X						
9	SHELF	R-3019-187-1/08R	1	X						
10	WHEEL	1029-660-201R	2	x						
11	SUPPORT	R-1019-153-1/08R	2	X						
12	BACK PANEL	R-3019-189-1/08R	1	X						
13	DIVIDER	R-3019-188-1/08R	1	X						
14	LABEL	R-0010-279-1R	1	X						
15	ROTARY BRACKET	1361-598-181R	1	X						
16	LABEL	2719-107-728R	1	X						
17	COVER	R-1019-212-1/08R	1	X						
18	BRACKET	R-3019-093-1/08R	1	X						
19	LABEL	R-0010-297-1R	1	X						
20	LEFT SIDE PANEL	R-1019-218-1R	1	X						
21	SWITCH	1115-260-166R	1	X						
22	SWITCH	1115-260-167R	1	X						
23	FRONT PANEL	R-3019-186-1/08R	1	X						
24	LABEL	R-0010-246-1R	1	X						
25	COVER	R-1019-211-1/08R	1	X						

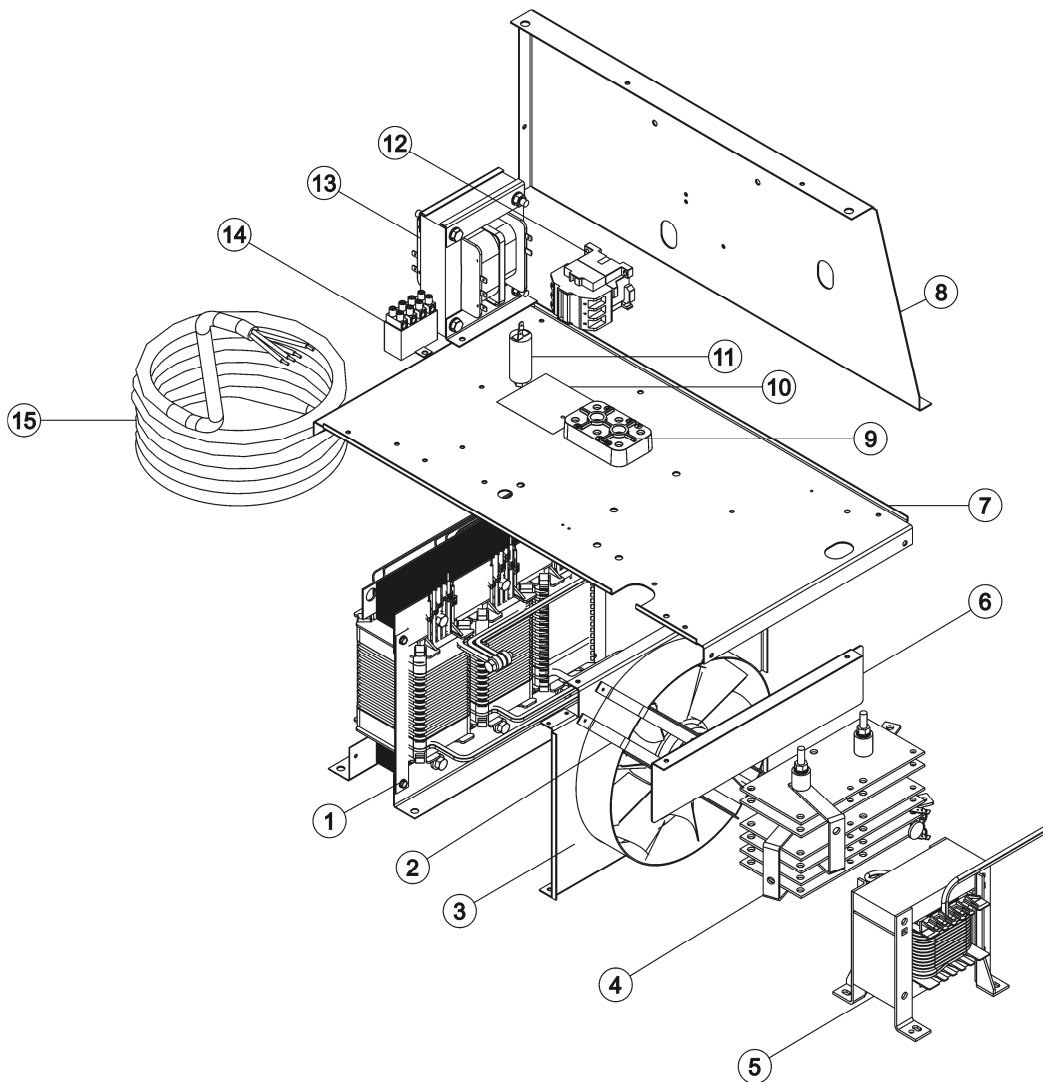


Figure B

**Figure B: Machine Assembly 2 - 305S**

Item	Description	Part Number	QTY	1	2	3	4	5	6	7
1	TRANSFORMER	R-4034-083-1R	1	X						
2	FAN	R-8040-055-3R	1	X						
3	WALL RING	R-3019-183-1/08R	1	X						
4	3-PHASE RECTIFIER	R-0010-295-1R	1	X						
5	CHOKE	R-4034-089-1R	1	X						
6	SHIELD	R-1019-220-1/08R	1	X						
7	SHELF	R-3019-187-1/08R	1	X						
8	DIVIDER	R-3019-188-1/08R	1	X						
9	TERMINAL BLOCK	1361-599-255R	1	X						
10	LABEL	R-0010-221-1R	1	X						
11	CAPACITOR	1158-121-001R	1	X						
12	CONTACTOR CI-30	1115-212-210R	1	X						
13	TRANSFORMER AUXILIARY	C-4244-384-1R	1	X						
14	RC-FILTER	0874-400-011R	1	X						
15	POWER CABLE	D-5578-171-2R	1	X						

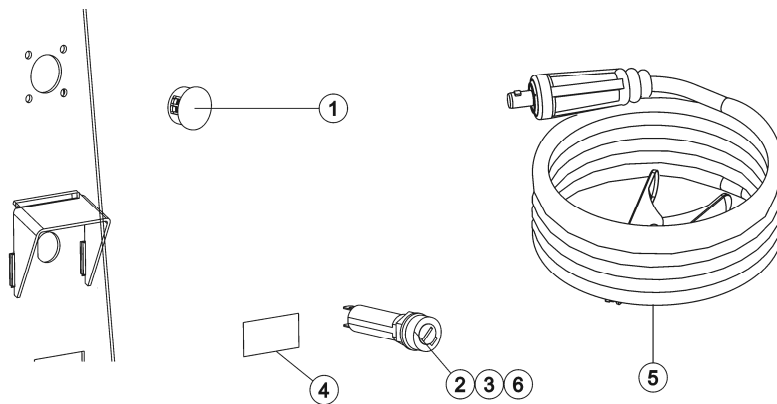


Figure C

**Figure C: Machine Assembly 3 - 305S**

Item	Description	Part Number	QTY	1	2	3	4	5	6	7
1	HOLE PLUG	1361-599-058R	1	X						
2	FUSE SOCKET	1158-632-032R	1	X						
3	CAP	1158-632-033R	1	X						
4	LABEL	2719-107-193R	1	X						
5	WELDING CABEL	K14011-1	1	X						
6	FUSE	1158-660-010R	1	X						

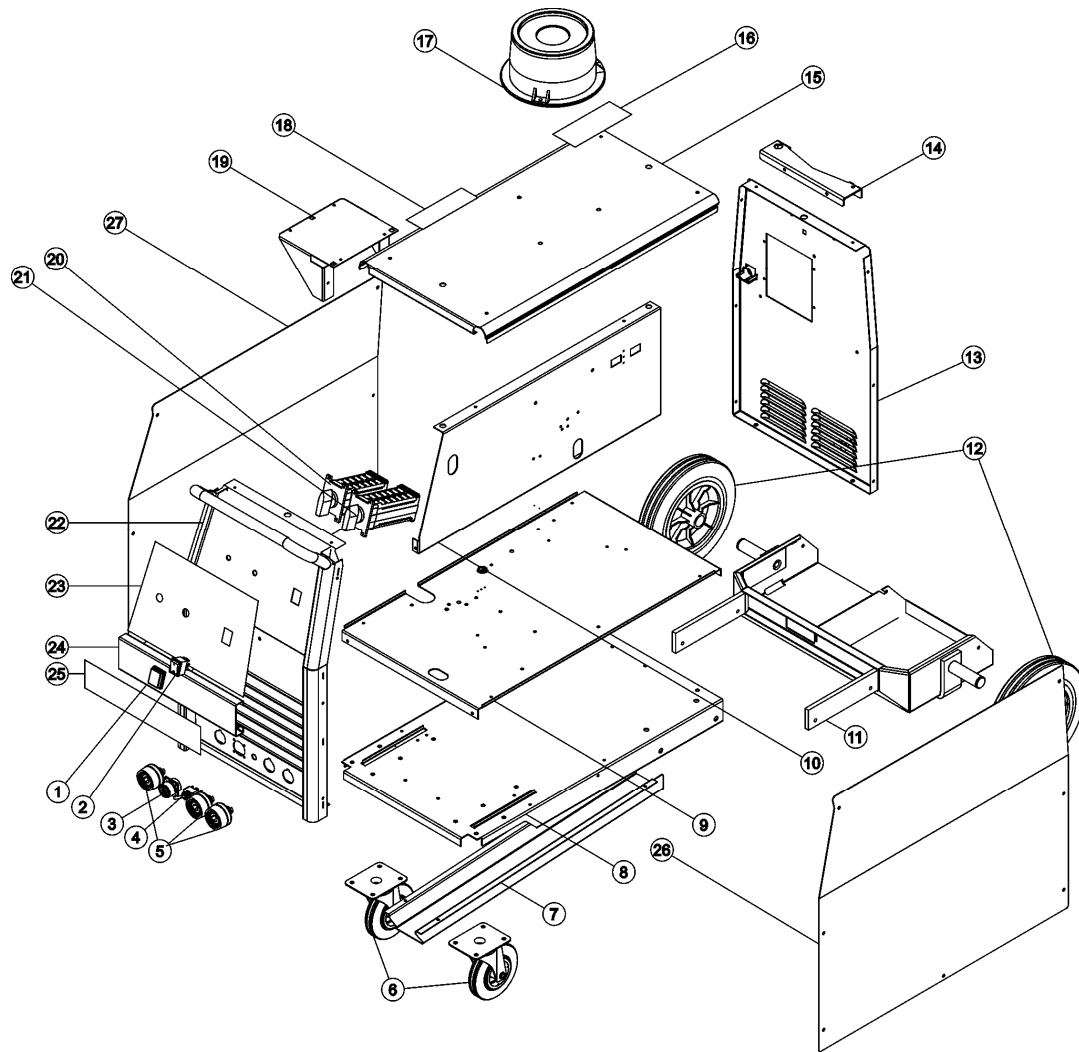


Figure D

**Figure D: Machine Assembly 1 - 365S / 425S / 505S**

Item	Description	Part Number	QTY	1	2	3	4	5	6	7
1	BLACK FRAME SHIELD	1115-299-073R	1	X	X	X				
2	SWITCH	1115-270-019R	1	X	X	X				
3	SOCKET	1158-641-130R	1	X	X	X				
4	SWITCH	1158-650-023R	1	X	X	X				
5	SOCKET	C-2986-001-3R	3	X	X	X				
6	TURNING WHEEL	1029-660-127R	2	X	X	X				
7	SUPPORT	R-1019-160-1/08R	1	X	X	X				
8	BASE	R-1019-150-1/08R	1	X	X	X				
9	SHELF	R-3019-142-1/08R	1	X	X	X				
10	DIVIDER	R-3019-143-1/08R	1	X	X	x				
11	SHELF	R-3019-026-1/08R	1	X	X	X				
12	WHEEL	1029-660-250R	2	X	X	X				
13	BACK PANEL	R-3019-144-1/08R	1	X	X	X				
14	SUPPORT	R-1019-153-1/08R	1	X	X	X				
15	COVER	R-1019-164-1/02R	1	X	X	X				
16	LABEL	R-0010-279-1R	1	X	X	X				
17	ROTARY BRACKET	1361-598-181R	1	X	X	X				
18	LABEL	2719-107-728R	1	X	X	X				
19	BRACKET	R-3019-093-1/08R	1	X	X	X				
20	SWITCH	1115-260-073R	1	X	X	•				
	SWITCH	1115-260-223R	1	•	•	X				
21	SWITCH	1115-260-074R	1	X	X	•				
	SWITCH	1115-260-224R	1	•	•	X				
22	FRONT PANEL	R-3019-145-1/08R	1	X	X	X				
23	LABEL	R-0010-218-1R	1	X	X	X				
24	COVER	R-1019-161-1/02R	1	X	X	X				

25	LABEL	R-0010-234-1R	1	X	•	•				
	LABEL	R-0010-235-1R	1	•	X	•				
	LABEL	R-0010-236-1R	1	•	•	X				
26	RIGHT SIDE PANEL	R-1019-182-1R	1	X	X	X				
27	LEFT SIDE PANEL	R-1019-180-1R	1	X	X	X				

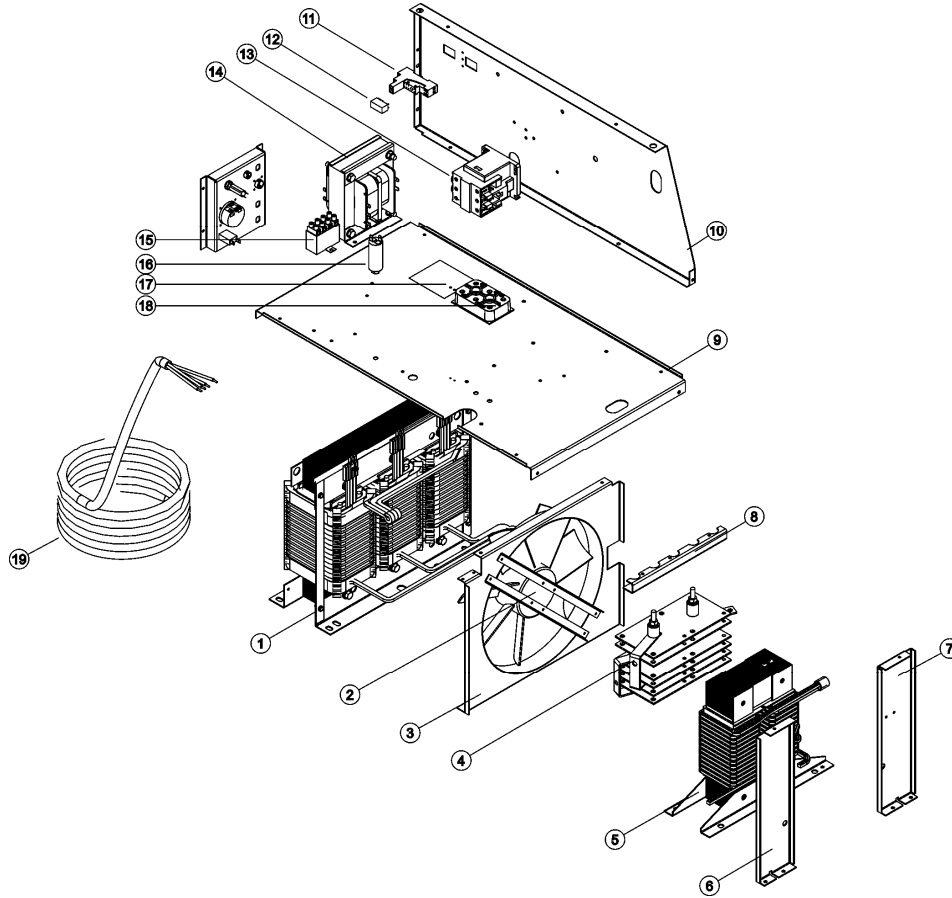


Figure E

**Figure E: Machine Assembly 2 - 365S / 425S / 505S**

Item	Description	Part Number	QTY	1	2	3	4	5	6	7
1	TRANSFORMER	R-4034-069-1R	1	X	•	•				
	TRANSFORMER	R-4034-068-1R	1	•	X	•				
	TRANSFORMER	R-4034-057-1R	1	•	•	X				
2	FAN	R-8040-055-3 R	1	X	X	X				
3	WALL RING	R-3019-135-1/08R	1	X	X	X				
4	RECTIFIER	R-0010-241-1R	1	X	•	•				
	RECTIFIER	R-0010-242-1R	1	•	X	•				
	RECTIFIER	R-0010-243-1R	1	•	•	X				
5	CHOKE	R-4034-091-1R	1	X	X	X				
6	BRACKET	R-1019-176-1R	1	X	X	X				
7	BRACKET	R-1019-176-2R	1	X	X	X				
8	BRACKET	R-1019-175-1R	1	X	X	X				
9	SHELF	R-3019-142-1/08R	1	X	X	X				
10	DIVIDER	R-3019-143-1/08R	1	X	X	X				
11	RELAY BASE	1158-632-017R	1	X	X	X				
12	RELAY	0918-412-065R	1	X	X	X				
13	CONTACTOR CI-42	1115-212-242R	1	X	X	•				
	CONTACTOR CI-50	1115-212-243R	1	•	•	X				
14	TRANSFORMER AUXILIARY	C-4244-384-1R	1	X	X	X				
15	RC-FILTER	0874-400-011R	1	X	X	X				
16	CAPACITOR	1158-121-001R	1	X	X	X				
17	LABEL	R-0010-221-1R	1	X	X	X				
18	TERMINAL BLOCK	1361-599-255R	1	X	X	X				
	POWER CABLE	D-5578-171-2R	1	X	•	•				
19	POWER CABLE	D-5578-171-3R	1	•	X	X				

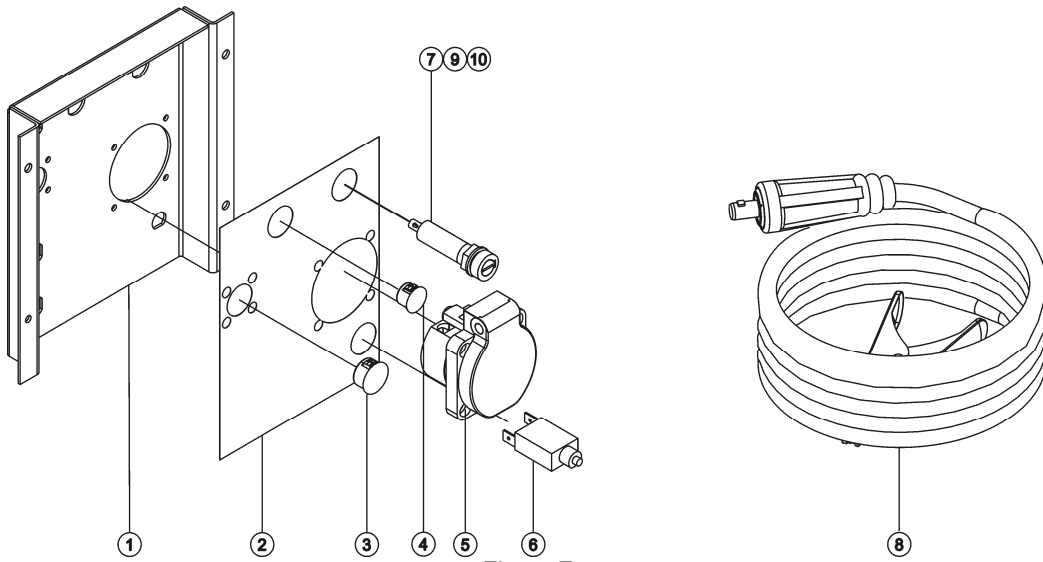
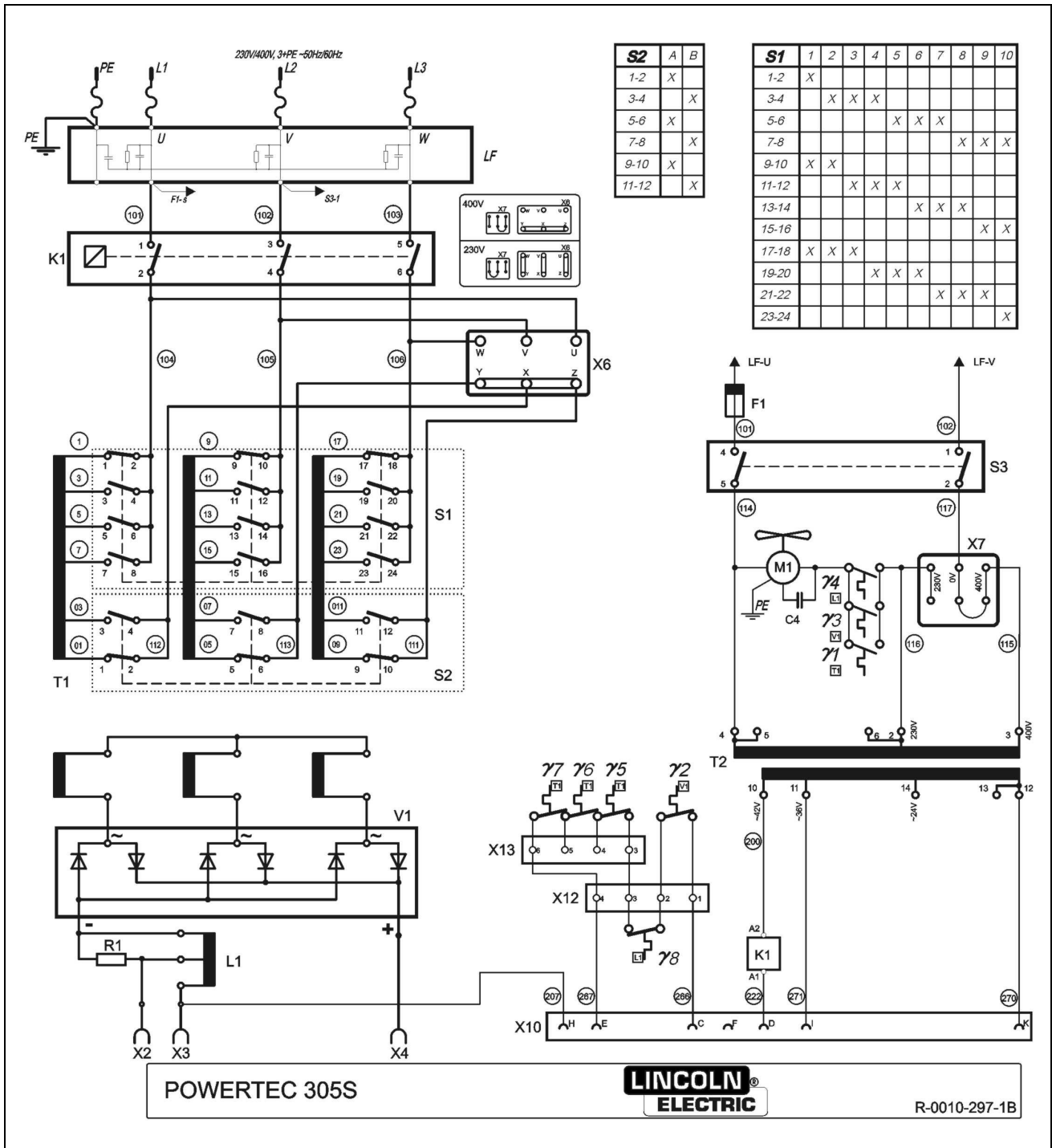


Figure F

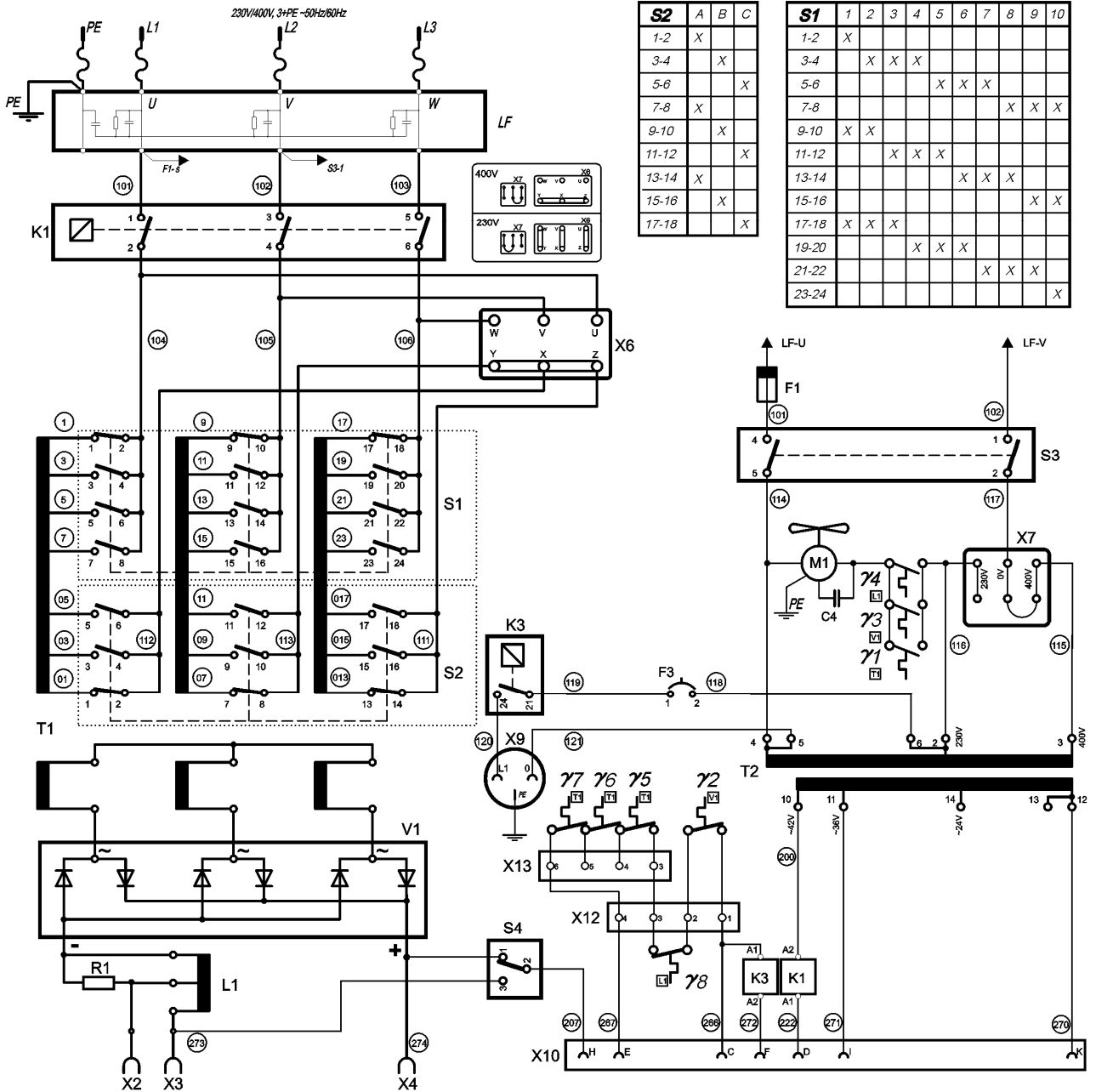
**Figure F: Machine Assembly 3 - 365S / 425S / 505S**

Item	Description	Part Number	QTY	1	2	3	4	5	6	7
1	PANEL	R-1019-157-1/08R	1	X	X	X				
2	LABEL	R-0010-239-1R	1	X	X	X				
3	HOLE PLUG	1361-599-058R	1	X	X	X				
4	HOLE PLUG	1361-599-130R	1	X	X	X				
5	SOCKET 1-PHASE	1131-222-004R	1	X	X	X				
6	FUSE HOUSING	1115-299-027R	1	X	X	X				
7	FUSE SOCKET	1158-632-032R	1	X	X	X				
8	WELDING CABLE	K14011-1	1	X	X	•				
	WELDING CABLE	K14033-1	1	•	•	X				
9	CAP	1158-632-033R	1	X	X	X				
10	FUSE	1158-660-006R	1	X	X	X				

# Electrical Schematic







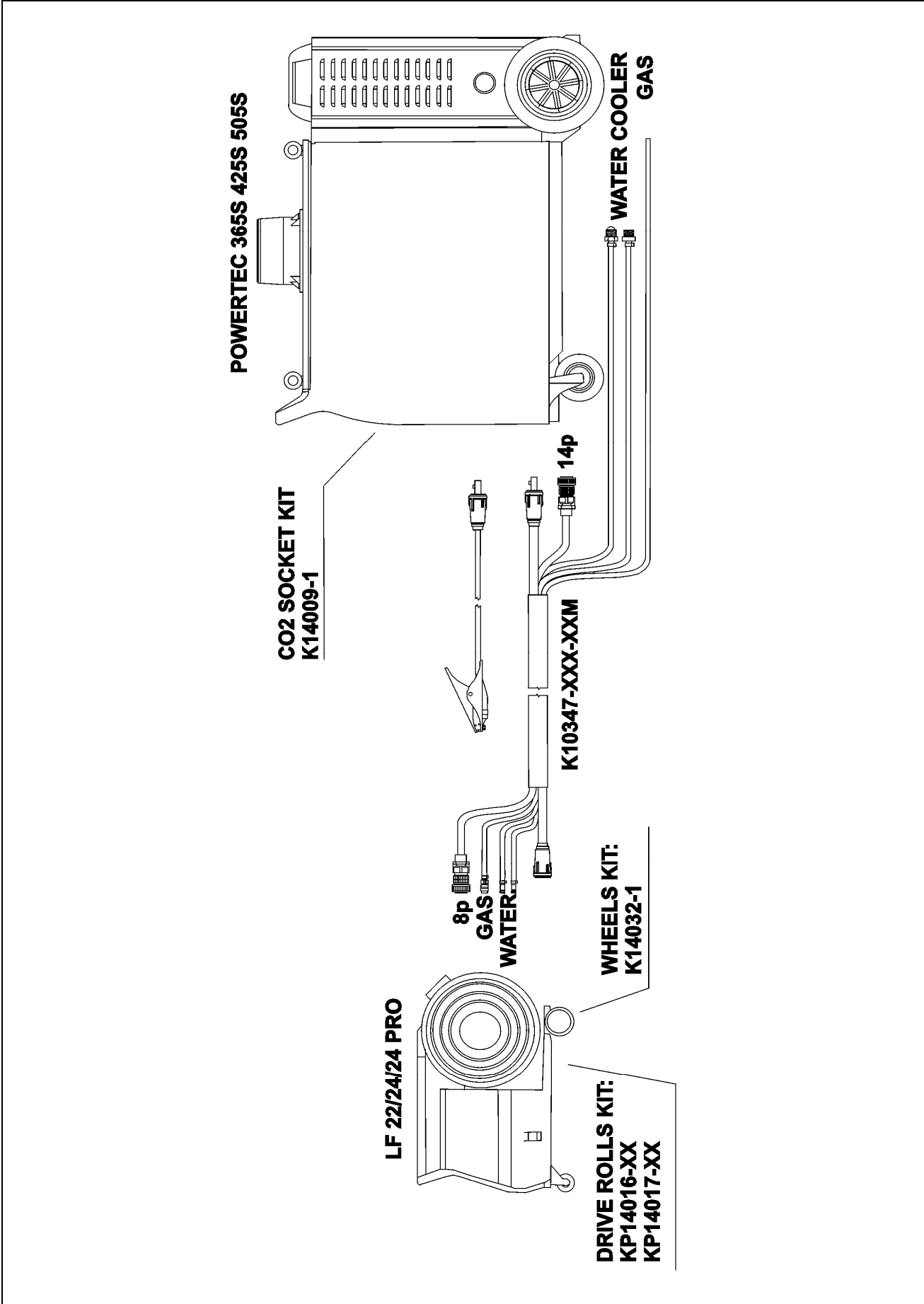
S2	A	B	C
1-2	X		
3-4		X	
5-6			X
7-8	X		
9-10		X	
11-12			X
13-14	X		
15-16		X	
17-18			X

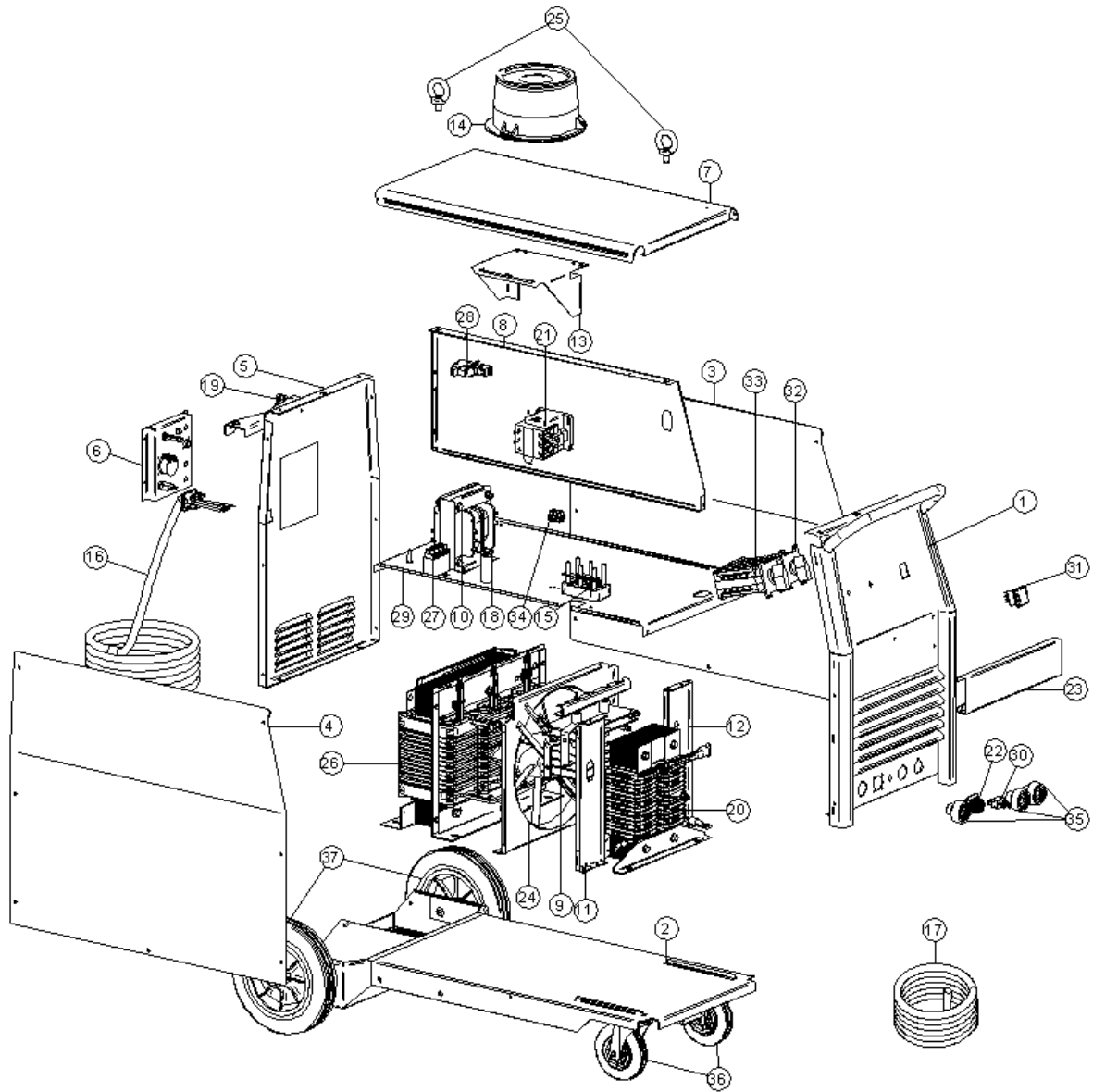
S1	1	2	3	4	5	6	7	8	9	10
1-2	X									
3-4		X	X	X						
5-6					X	X	X			
7-8								X	X	X
9-10	X	X								
11-12			X	X	X					
13-14						X	X	X		
15-16									X	X
17-18	X	X	X							
19-20				X	X	X				
21-22							X	X	X	
23-24										X

POWERTEC 365S, 425S, 505S



R-0010-296-1A





	Ref.	Recycle				ST				
		Fe	Al	Cu	Brass	Boards	Plastics	Liquid Cristal	External Electric Cables	Capacitors
Front Panel Assembly	1	X								
Base Assembly	2	X								
Right Side Access Panel	3	X								
Left Side Panel	4	X								
Rear Panel Assembly	5	X								
Panel Assembly	6	X								
Top Panel Assembly	7	X								
Divider Panel Assembly	8	X								
3-phase Bridge Rectifier	9		X				X			
Auxiliary Transformer	10	X					X			
Bracket	11,12,13,14	X								
Bus Bar	15			X			X			
Cables	16,17			X	X		X		X	
Capacitor	18									X
Chain	19	X								
Choke	20	X		X			X			
Contacto	21	X		X			X			
Control Socket	22	X								
Cover	23	X								
Fan Assembly	24	X		X						
Lug Screws	25	X								
Main Transformer	26	X		X			X			
RC Filter	27				X		X			
Relay	28			X	X		X			
Shelf	29	X								
Switches	30, 31, 32, 33				X		X			
Terminal Blocks	34	X					X			
Welding Socket	35				X		X			
Wheels	36,37	X					X			