

CODE 50154, 50155, 50156

ASSEMBLY PAGE NAME			Machine Assembly	Panel Assembly	Rear Panel Assembly	Wire Drive Assembly LF 22	Wire Drive Assembly LF 24 / LF 24 PRO
CODE NO.:	K NO.:	FIGURE NO.:	A	B	C	D	E
50154	K14064-1	LINC FEED 22M	1	1	1	1	-
50155	K14065-1W	LINC FEED 24M	2	2	2	-	1
50156	K14066-1W	LINC FEED 24M PRO	3	3	3	-	1

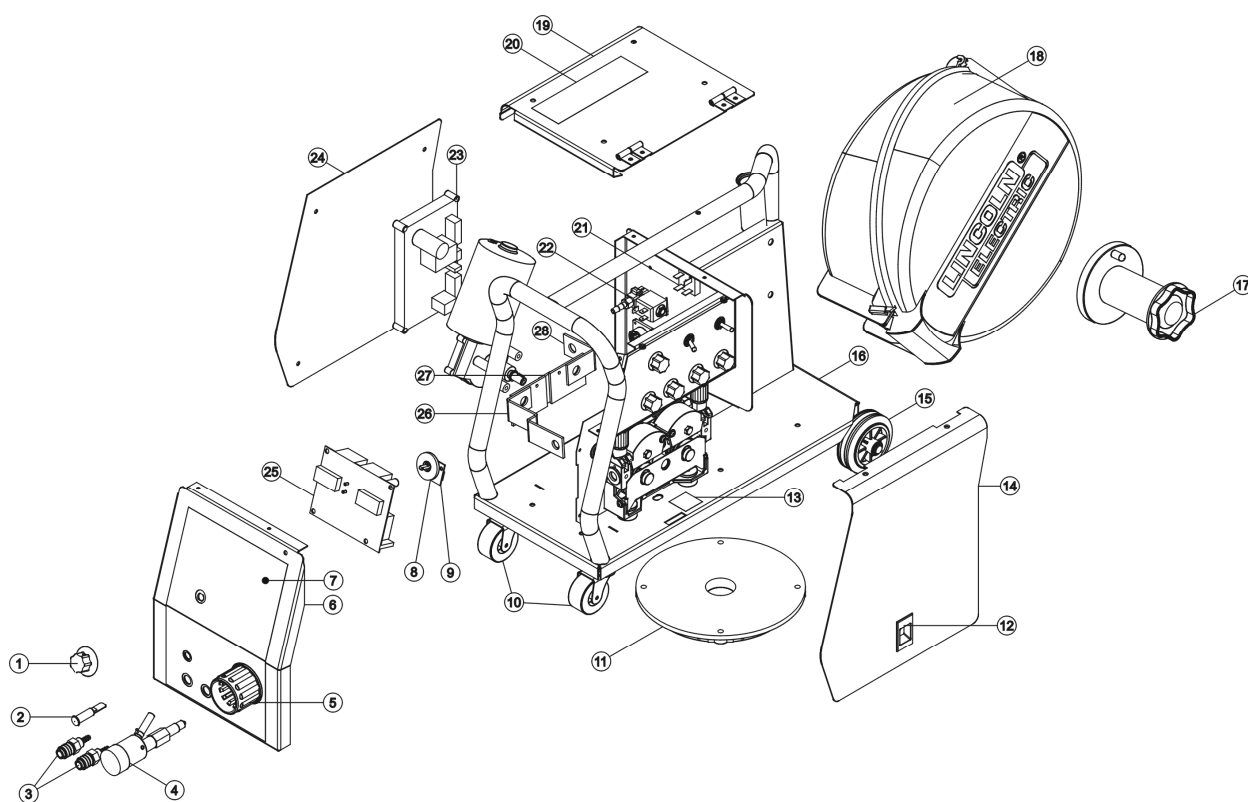


Figure A

- recommended parts

Figure A: Machine Assembly

No.	Description	Part Number	Qty	1	2	3
1	KNOB FI38	9ET10491R	1	x	x	x
2	LAMP	0917-421-024R	1	x	x	x
3	QUICK COUPLING	0744-000-152R	4	*	x	x
	QUICK COUPLING	0744-000-152R	2	x	*	*
4	EURO SOCKET	R-8040-140-3R	1	x	x	x
5	EURO SLEEVE	1361-599-708R	1	x	x	x
6	FRONT PANEL	R-1012-304-1R	1	*	x	x
	FRONT PANEL	R-1012-304-2R	1	x	*	*
7	LABEL (22M)	R-0010-247-1R	1	x	*	*
	LABEL (24M)	R-0010-248-1R	1	*	x	*
	LABEL (24M PRO)	R-0010-249-1R	1	*	*	x
8	WASHER	0744-200-041R	1	x	x	x

9	PC BOARD PD5	0918-432-073R	1	x	x	x
10	CASTER	1029-660-003R	2	x	x	x
11	ROTARY BRACKET	1361-598-180R	1	x	x	x
12	BOLT	0654-610-004R	1	x	x	x
13	LABEL	2719-107-732R	1	x	x	x
14	SIDE PANEL	R-1019-188-1R	1	x	x	x
15	WHEEL PG80	1029-660-081R	2	x	x	x
16	RACK	R-3019-156-1R	1	x	x	x
17	REEL HUB STANDARD	0744-000-192R	1	x	x	x
	FASTENING CUP	B11035-1	1	x	x	x
18	SPOOL COVER	0749-901-003R	1	x	x	x
19	COVER	R-3019-162-1R	1	x	x	x
20	WARNING LABEL	2719-107-728R	1	x	x	x
21	BRIDGE RECTIFIER	1156-112-044R	1	x	x	x
22	SOLENOID GAS SWITCH	0972-423-002R	1	x	x	x
23	PC BOARD G4560	C-3731-399-3R	1	*	*	x
	PC BOARD US69 II	0918-432-091R	1	x	x	*
24	SIDE PANEL	R-3019-165-1R	1	x	x	x
25	PC BOARD US67	C-3731-400-2R	1	*	*	x
	PC BOARD WAV1	0918-432-006R	1	*	x	*
26	CONTACT RAIL	R-1010-038-1R	1	*	x	x
	CONTACT RAIL	R-1010-008-1R	1	x	*	*
27	SHUNT	0941-712-025R	1	*	x	x
28	CONTACT RAIL	R-1010-036-1R	1	*	x	x
	CONTACT RAIL	R-1010-041-1R	1	x	*	*

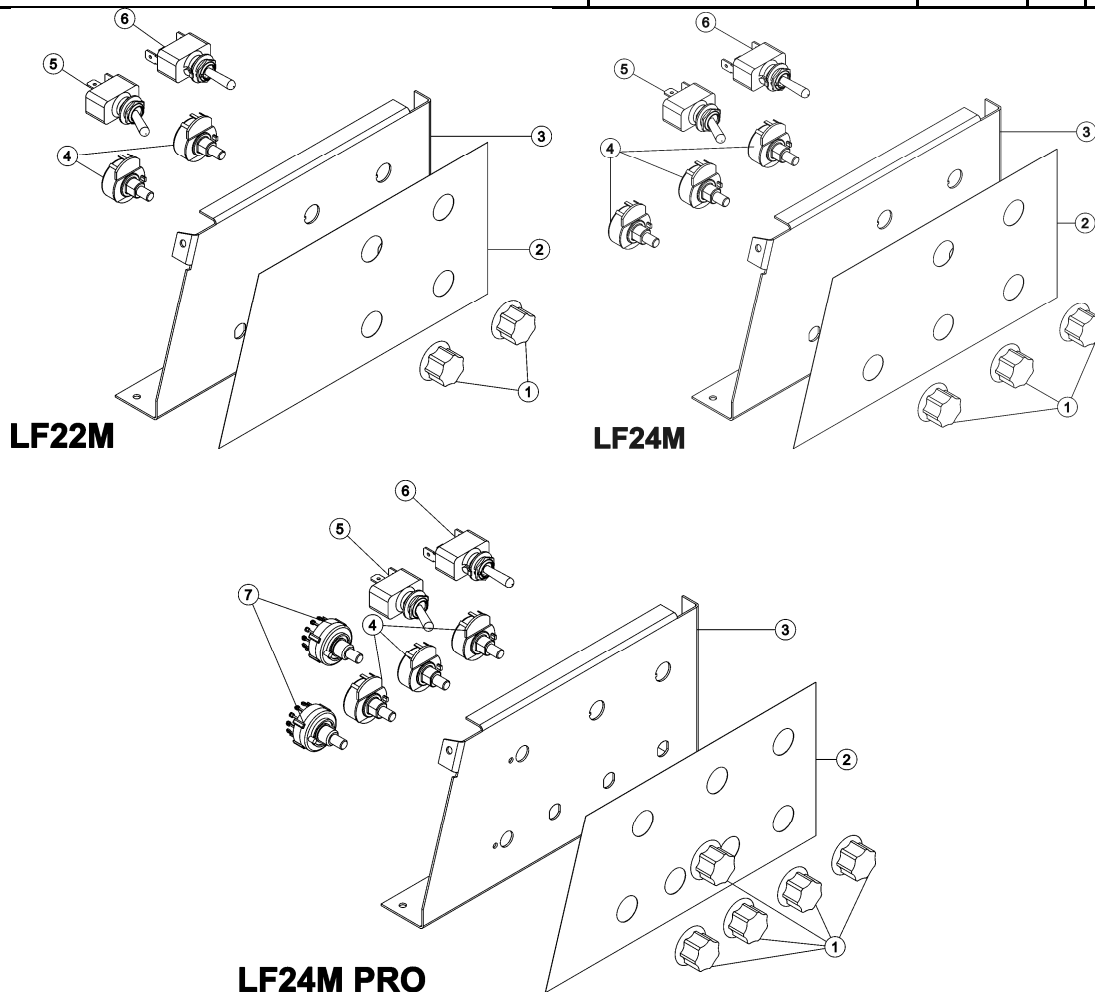


Figure B

Figure B: Panel Assembly

No.	Description	Part Number	Qty	1	2	3
1	KNOB FI25	9ET13639-3R	2	x	*	*
	KNOB FI25	9ET13639-3R	3	*	x	*
	KNOB FI25	9ET13639-3R	5	*	*	x
2	LABEL	R-0010-278-1R	1	x	*	*
	LABEL	R-0010-277-1R	1	*	x	*
	LABEL	R-0010-252-1BR	1	*	*	x
3	DIVIDER	R-1019-209-1R	1	x	*	*
	DIVIDER	R-1019-208-1R	1	*	x	*
	DIVIDER	R-1019-181-1R	1	*	*	x
4	POTENTIOMETR	1158-113-304R	2	x	*	*
	POTENTIOMETR	1158-113-304R	3	*	x	x
5	SWITCH 2FA53-73	1158-650-021R	1	x	x	x
6	SWITCH 6FC53-73	1158-650-022R	1	x	x	x
7	SWITCH PRS	D-4542-012-2R	2	*	*	x

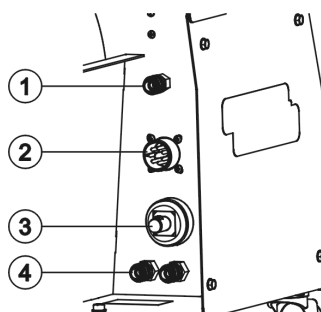


Figure C

Figure C: Rear Panel Assembly

No.	Description	Part Number	Qty	1	2	3
1	QUICK CONNECT COUPLING	0744-000-149R	1	x	x	x
2	SOCKET X11	1158-641-129R	1	x	x	x
3	SOCKET X5	D-2985-002-1R	1	x	x	x
4	QUICK CONNECT COUPLING	0744-000-152R	2	*	x	x

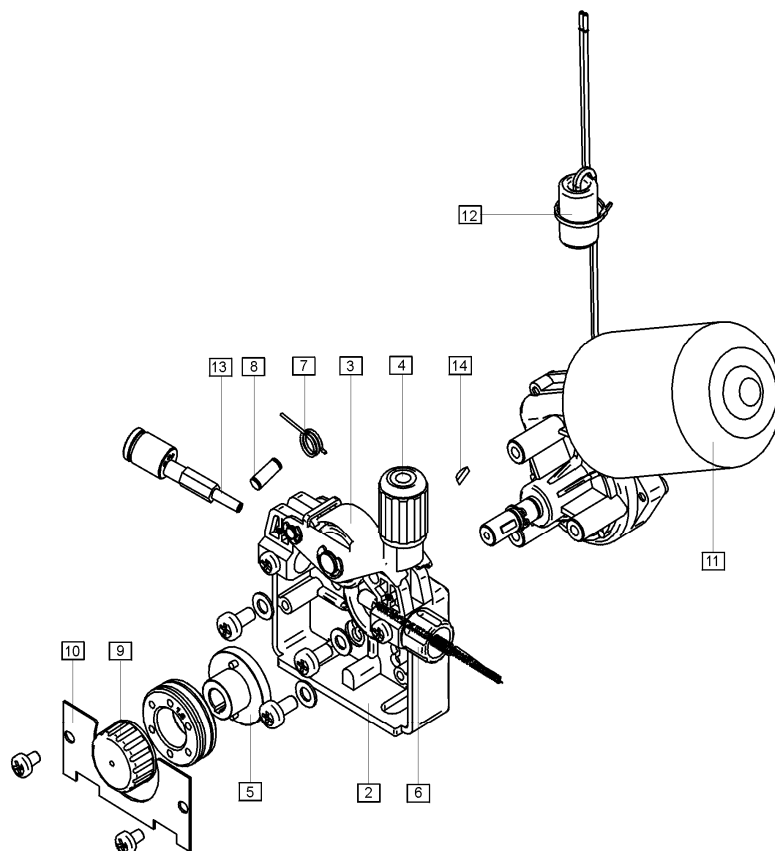


Figure D

Figure D: Wire Drive Assembly LF 22M

Item	Description	Part Number	QTY	1	2	3
1	WIRE FEEDER COMPLETE	0744-000-166R	1	X		
2	FEED PLATE	0646-231-123R	1	X		
3	PRESSURE ARM COMPLETE	0646-231-096R	1	X		
4	FIXING ARM COMPL.	0646-231-097R	1	X		
5	ADAPTER COPL.	0744-000-194R	1	X		
6	INLET GUIDE COMPLETE	0744-000-193R	1	X		
7	SPRING PRESSURE ARM	0646-231-125R	1	X		
8	AXIS PRESSURE ARM	0646-231-120R	1	X		
9	FIXING CAP	0744-000-195R	1	X		
10	METAL COVER	0646-231-127R	1	X		
11	D.C. MOTOR	1111-722-045R	1	X		
12	FERRITE TUBE	1158-290-036R	1	X		
13	WIRE GUIDE TUBE	D-1829-066-4R	1	X		
14	WOODRUFF KEY	0646-231-102R	1	X		

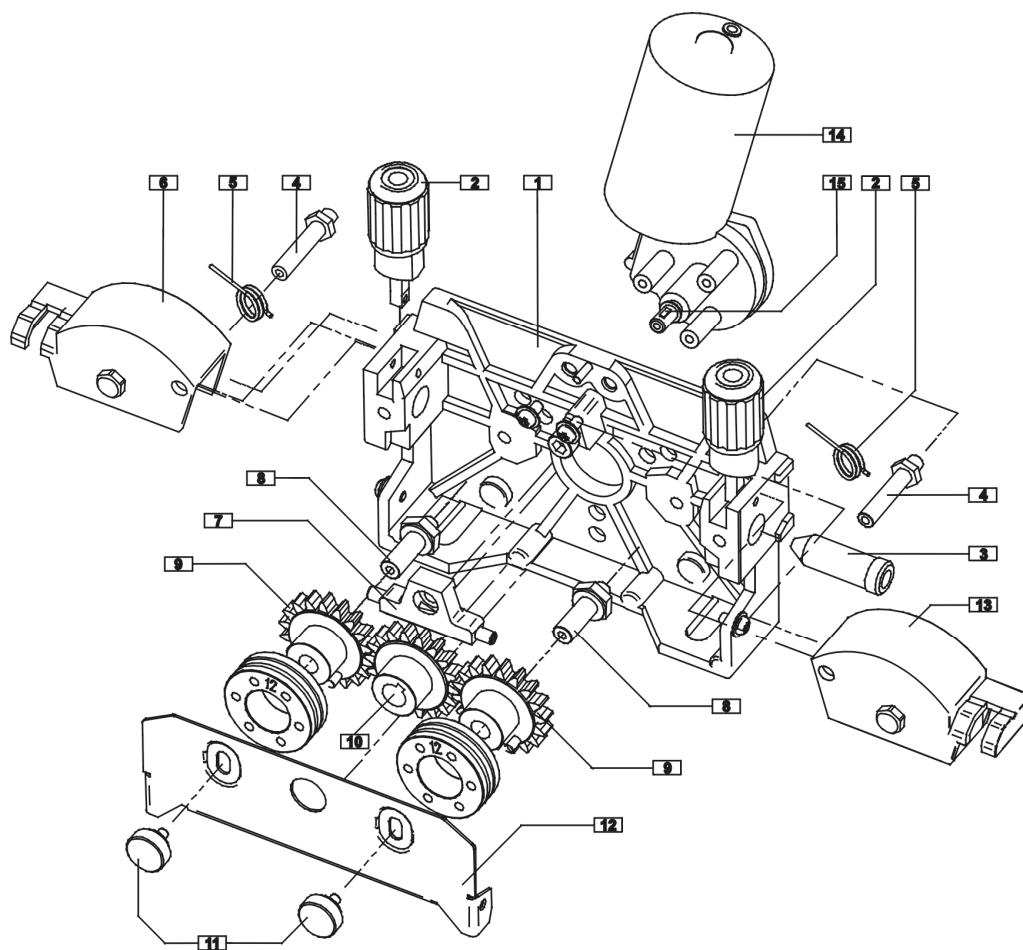


Figure E

Figure E: Wire Drive Assembly LF 24M / LF24M PRO

Item	Description	Part Number	OLD Part Number	QTY	1	2	3	4	5
	WIRE FEEDER COMPL.	0744-000-241R		1	X				
1	FEED PLATE	0646-233-002R	S51997-1	1	X				
2	FIXING ARM COMPL.	0646-233-015R		2	X				
3	INLET GUIDE	0646-233-025R	T51125	1	X				
4	AXIS PRESSURE ARM	0646-233-003R	S51997-2	2	X				
5	SPRING PRESSURE ARM	0646-233-013R	S51997-12	2	X				
6	PRESSURE ARM COMPL.L	0646-233-007R	S51997-5	1	X				
7	INTERMEDIATE GUIDE	0646-233-023R	T51126	1	X				
8	AXIS DRIVE ROLL	0646-233-020R	S51997-19	2	X				
9	GEAR WHEEL ROLL	0646-231-090R	S51889-2	2	X				
10	GEAR WHEEL MOTOR	0646-233-028R	S51888	1	X				
11	FIXING CAP	0646-233-022R	S51997-20	2	X				
12	METAL COVER	0646-233-027R	S51997-23	1	X				
13	PRESSURE ARM COMPL.R	0646-233-005R	S51997-4	1	X				
14	MOTOR -28V	1111-722-047R	L12073	1	X				
15	WOODRUFF KEY	0646-231-102R		1	X				