

# INVERTEC<sup>®</sup> 135S, 150S & 170S

Spare Parts.....	1
INVERTEC 135S, 150S & 170S .....	1
Figure A.....	1
Figure A: Machine Assembly 135S.....	1
Figure B.....	2
Figure B: Machine Assembly 150S.....	2
Figure C.....	3
Figure C: Machine Assembly 170S .....	3
Electrical Schematic.....	4
135S code 52066, 52106.....	4
150S code 52067, 52096.....	5
170S code 52068, 52097.....	6

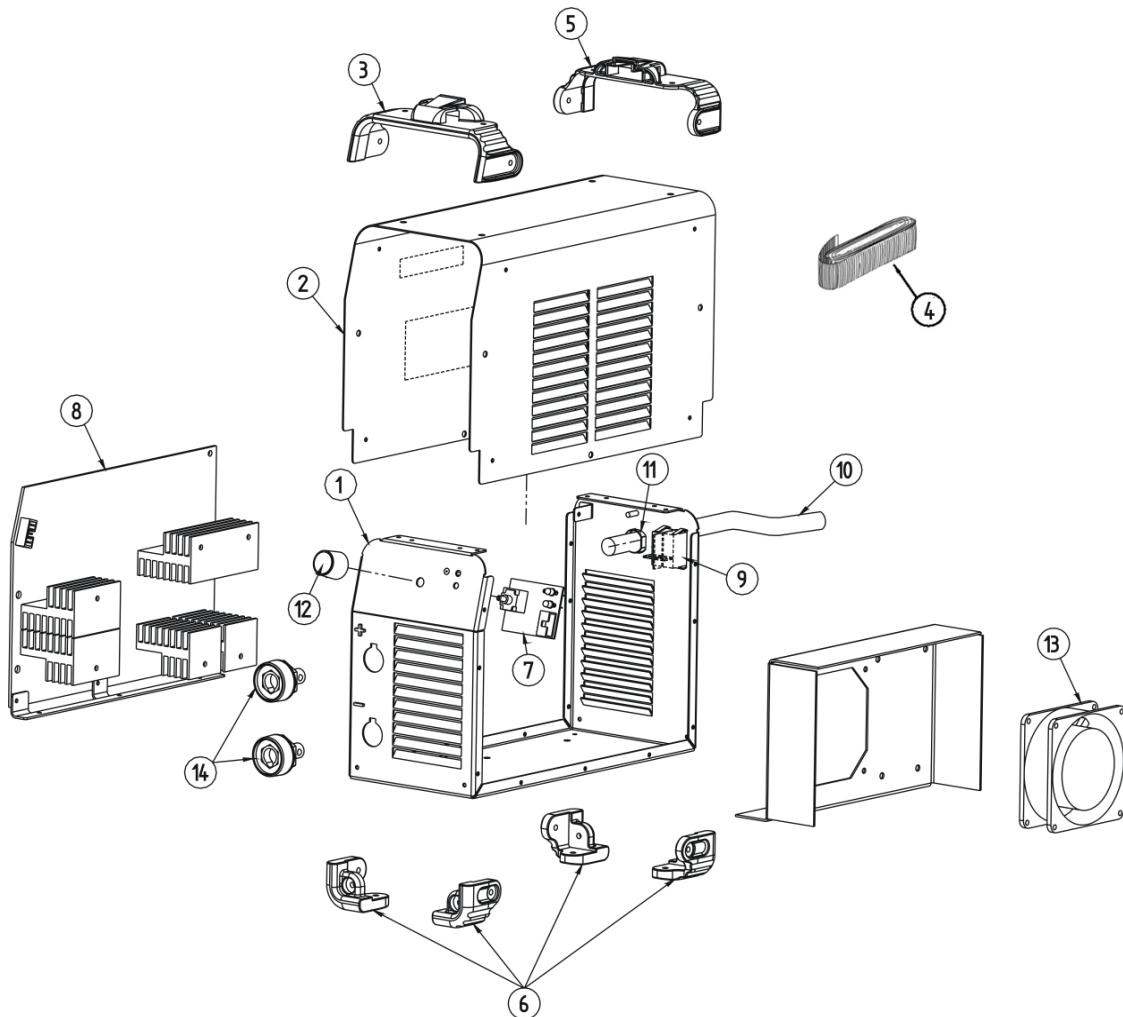


# Spare Parts

SP52066/52067/52068/52096/52097/52106 Rev. 4  
07/03

## INVERTEC 135S, 150S & 170S

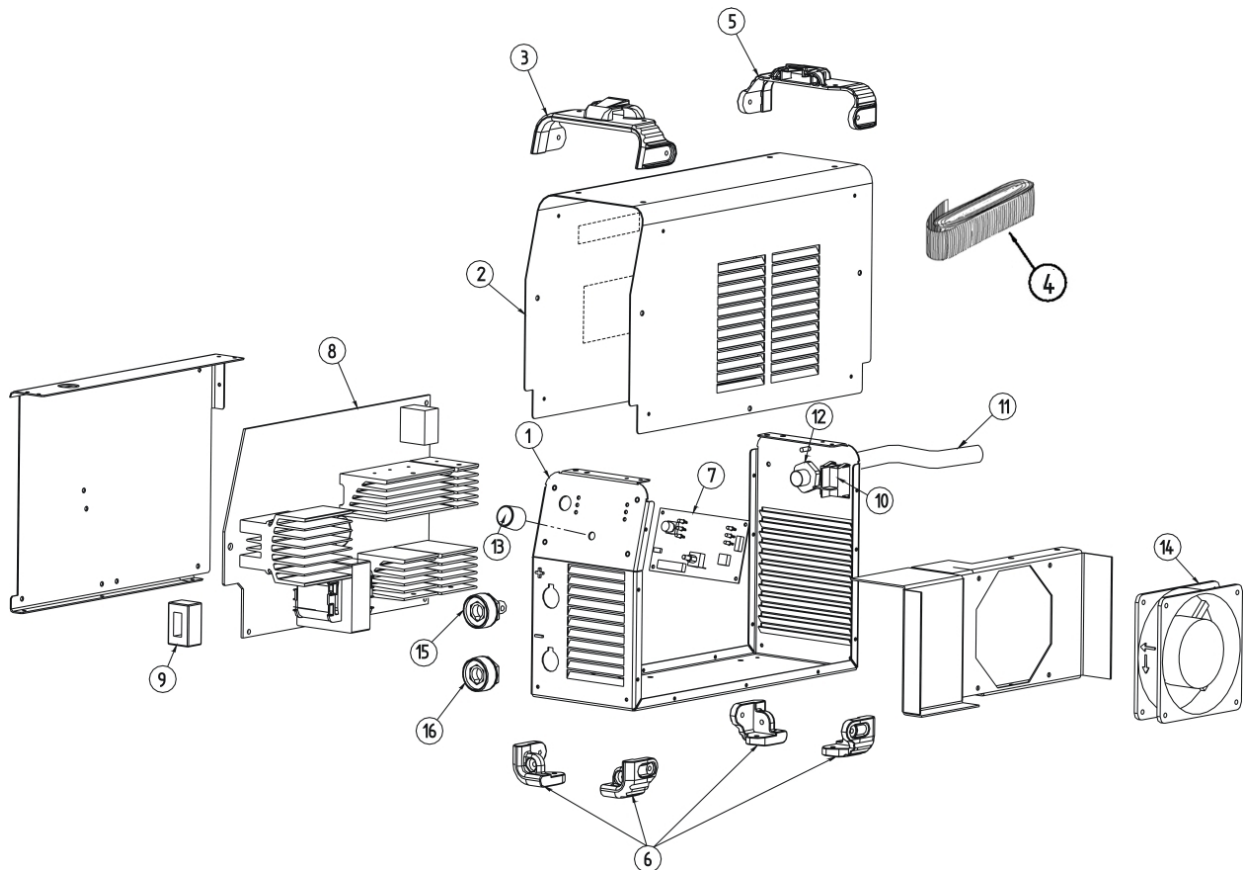
ASSEMBLY PAGE NAME		Machine Assembly 135S	Machine Assembly 150S	Machine Assembly 170S				
CODE NO.:	FIGURE NO.:	A	B	C				
52066	135S CE	1						
52106	135S AUS	2						
52067	150S CE		1					
52096	150S AUS		2					
52068	170S CE			1				
52097	170S AUS			2				



**Figure A**  
**Figure A: Machine Assembly 135S**

Item	Description	Part Number	QTY	1	2	3	4	5	6
1	MAIN FRAME + FRONT NAMEPLATE	W93X0928R + W07X0921R	1 1	X X	X X				
2	WRAPAROUND + KIT SIDE NAMEPLATES INVERTEC	W93X1050R + W07X1186R	1 1	X X	X X				

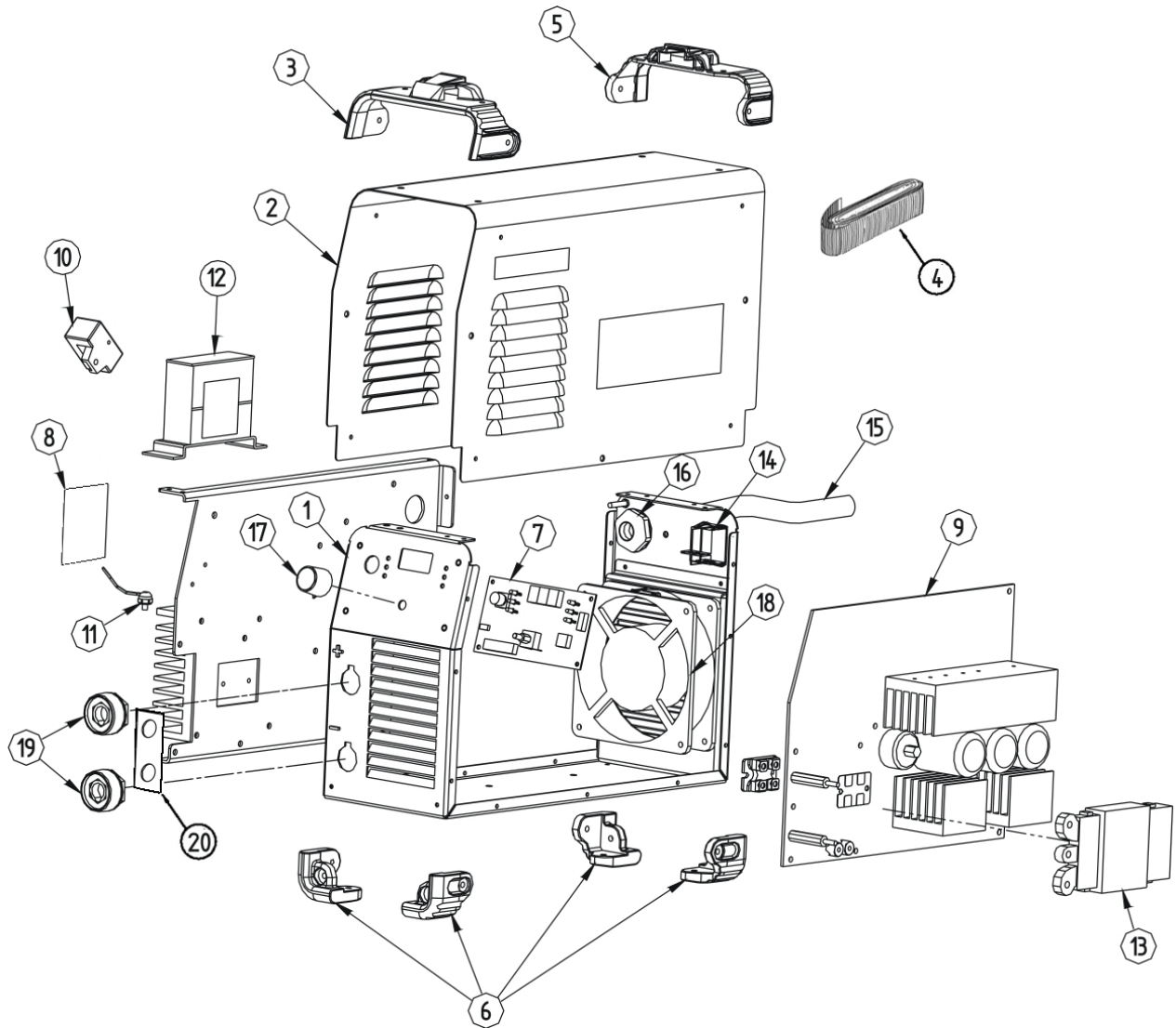
3	FRONT HANDLE	W95X1148-1R	1	X	X				
4	CARRYING STRAP	W92X1189R	1	X	X				
5	REAR HANDLE	W95X1148-2R	1	X	X				
6	KIT 4 ANTI-SLIP FOOT	W95X1149R	1	X	X				
7	CONTROL P.C. BOARD	W05X0906R	1	X	X				
8	INVERTER P.C. BOARD	W05X0908R	1	X	X				
9	MAINS SWITCH	W7516224R	1	X	X				
10	INPUT CORD CE	W78X0930R	1	X	•				
10	INPUT CORD AUS	W78X0812R	1	•	X				
11	CABLE CLAMP	W8400037R	1	X	X				
12	KNOB	W8700022R	1	X	X				
13	FAN	W7200010R	1	X	X				
14	DINSE CONNECTOR	W7600036R	2	X	X				



**Figure B**

**Figure B: Machine Assembly 150S**

Item	Description	Part Number	QTY	1	2	3	4	5	6
1	MAIN FRAME + FRONT NAMEPLATE	W93X1084R + W07X0922R	1 1	X X	X X				
2	WRAPAROUND + KIT SIDE NAMEPLATES INVERTEC	W93X1187R + W07X1186R	1 1	X X	X X				
3	FRONT HANDLE	W95X1148-1R	1	X	X				
4	CARRYING STRAP	W92X1189R	1	X	X				
5	REAR HANDLE	W95X1148-2R	1	X	X				
6	KIT 4 ANTI-SLIP FOOT	W95X1149R	1	X	X				
7	CONTROL P.C. BOARD CE	W05X1088R	1	X	•				
7	CONTROL P.C. BOARD AUS	W05X1088-1R	1	•	X				
8	INVERTER P.C. BOARD	W05X1064R	1	X	X				
9	HALL SENSOR	W4900003R	1	X	X				
10	MAINS SWITCH	W7516224R	1	X	X				
11	INPUT CORD CE	W78X0248R	1	X	•				
11	INPUT CORD AUS	W78X0369R	1	•	X				
12	CABLE CLAMP	W8400006R	1	X	X				
13	KNOB	W8700022R	1	X	X				
14	FAN	W7200014R	1	X	X				
15	DINSE + CONNECTOR	W7600037R	1	X	X				
16	DINSE - CONNECTOR	W7600025R	1	X	X				

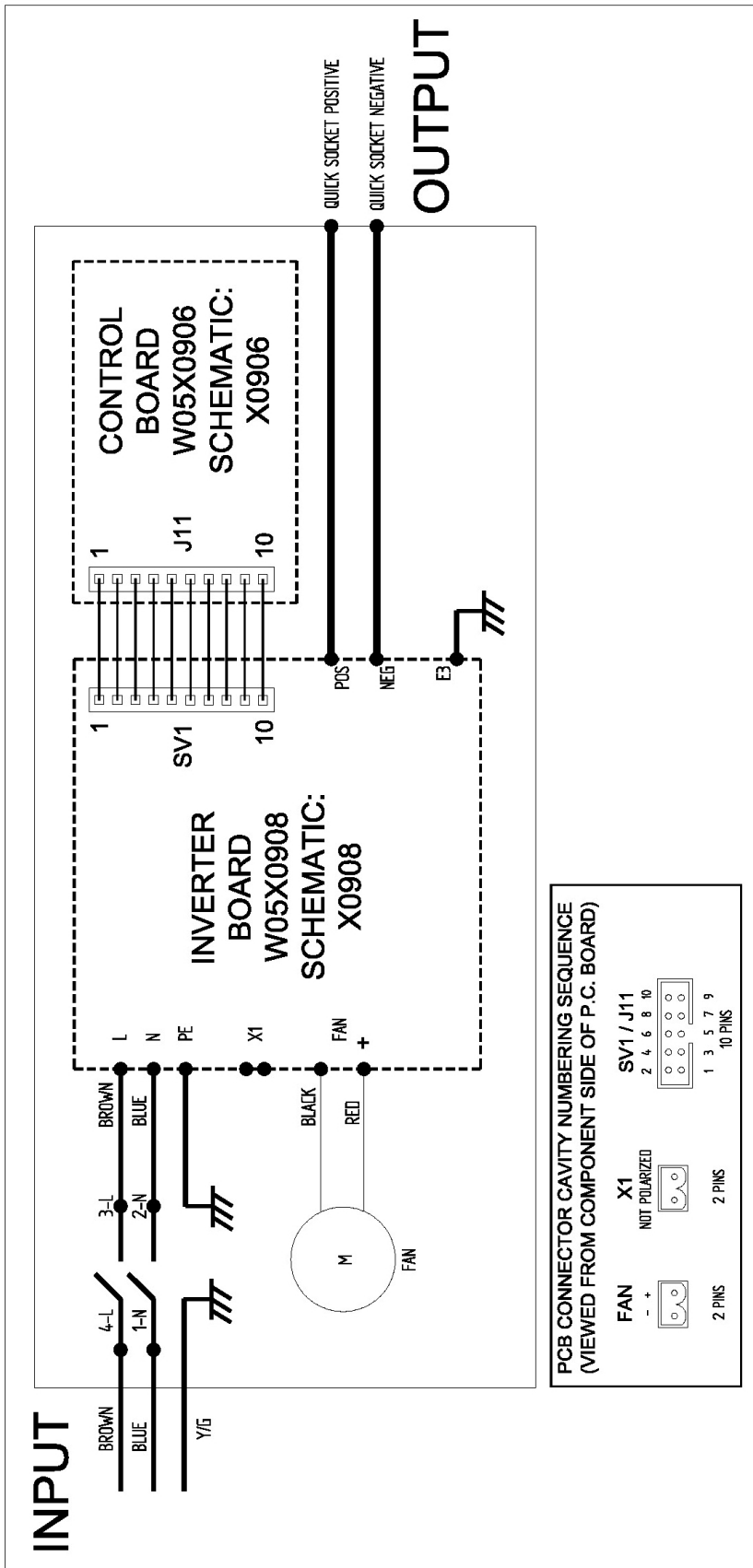


**Figure C**  
**Figure C: Machine Assembly 170S**

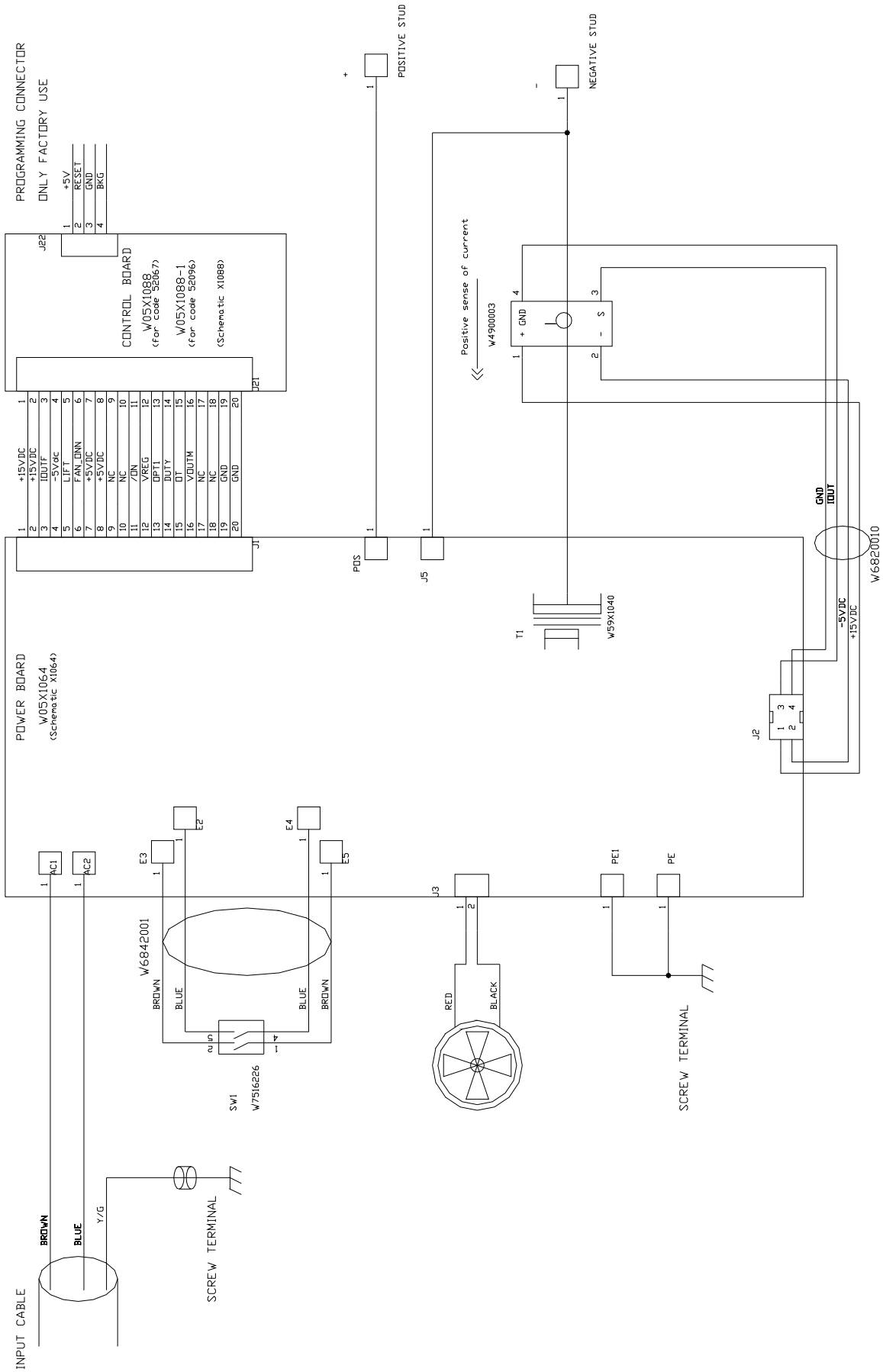
Item	Description	Part Number	QTY	1	2	3	4	5	6
1	MAIN FRAME + FRONT NAMEPLATE	W93X0929R + W07X0923R	1 1	X X	X X				
2	WRAPAROUND + KIT SIDE NAMEPLATES INVERTEC	W93X1188R + W07X1186R	1 2	X X	X X				
3	FRONT HANDLE	W95X1148-1R	1	X	X				
4	CARRYING STRAP	W92X1189R	1	X	X				
5	REAR HANDLE	W95X1148-2R	1	X	X				
6	KIT 4 ANTI-SLIP FOOT	W95X1149R	1	X	X				
7	DISPLAY P.C. BOARD	W05X0907R	1	X	X				
8	INPUT FILTER	W05X1220R	1	X	X				
9	INVERTER P.C. BOARD	W05X0909R	1	X	X				
10	HALL SENSOR	W4900003R	1	X	X				
11	THERMOSTAT SENSOR	W9600081R	1	X	X				
12	OUT INDUCTOR	W58X1182R	1	X	X				
13	POWER TRANSFORMER	W59X0988R	1	X	X				
14	MAINS SWITCH	W7516224R	1	X	X				
15	INPUT CORD CE	W78X1087R	1	X	•				
15	INPUT CORD AUS	W78X1270R	1	•	X				
16	CABLE CLAMP	W8400006R	1	X	X				
17	KNOB	W8700022R	1	X	X				
18	FAN	W7200013R	1	X	X				
19	DINSE CONNECTOR	W7600025R	2	X	X				
20	OUTPUT FILTER	W05X1221R	1	X	X				

# Electrical Schematic

135S code 52066, 52106



# 150S code 52067, 52096



# 170S code 52068, 52097

