

CODE 52077, 52078, 52081, 52082

ASSEMBLY PAGE NAME		Machine Assembly 270SX	Machine Assembly 400SX				
CODE NO.:	FIGURE NO.:	A	B				
52077	270SX CE	1					
52078	270SX AUS	1					
52081	400SX CE		1				
52082	400SX AUS		1				

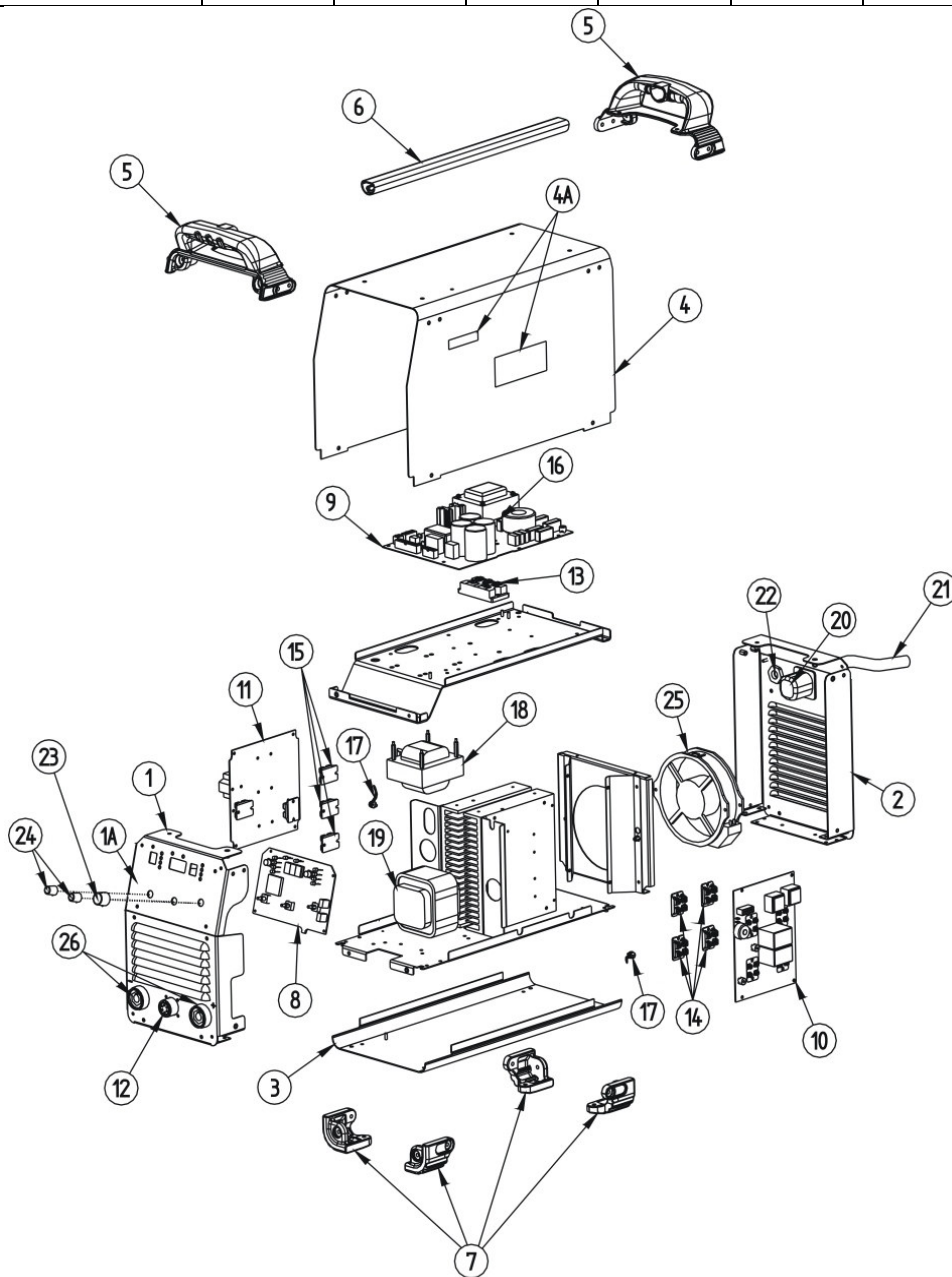


Figure A

Figure A: Machine Assembly

Item	Description	Part Number	QTY	1	2	3	4	5	6
1	FRONT FRAME	W93X1135R	1	X					
1A	+ FRONT NAMEPLATE	+ W07X1055R	1						
2	REAR FRAME	W93X1136R	1	X					
3	BOTTOM FRAME	W93X1134R	1	X					
4	WRAPAROUND	W93X1133R	1	X					
4A	+ KIT SIDE NAMEPLATES INVERTEC	+ W07X1186R	2						
5	FRONT / REAR HANDLE	W95X1146R	2	X					
6	CENTRAL HANDLE	W92X0228-5R	1	X					
7	KIT 4 ANTI-SLIP FOOT	W95X1147R	1	X					
8	DISPLAY BOARD	W05X1026R	1	X					
9	INPUT P.C. BOARD	W05X0855-1R	1	X					
10	INVERTER P.C. BOARD WITH IGBTs	W05X0857-4R	1	X					
11	OUTPUT P.C. BOARD WITH DIODEs AND IGBT	W05X1044R	1	X					
12	REMOTE P.C. BOARD	W05X0322R	1	X					
13	POWER INPUT BRIDGE	W4100012R	1	•					
14	POWER IGBTs	W4300070R	4	X					
15	POWER DIODEs	W4010040R	3	X					
16	AUXILIARY FUSE	W7300500R	1	X					
17	THERMOSTAT SENSOR	W9600081R	2	X					
18	OUT INDUCTOR	W58X1023R	1	X					
19	OUT TRANSFORMER	W59X1022R	1	X					
20	SWITCH	W7511707R	1	X					
21	INPUT CORD	W78X1201R	1	X					
22	CABLE CLAMP	W8400006R	1	X					
23	KNOB (LARGE)	W8700030R	1	X					
24	KNOB (SMALL)	W8700016R	2	X					
25	FAN	W7200007R	1	X					
26	DINSE CONNECTOR	W7690350R	2	X					

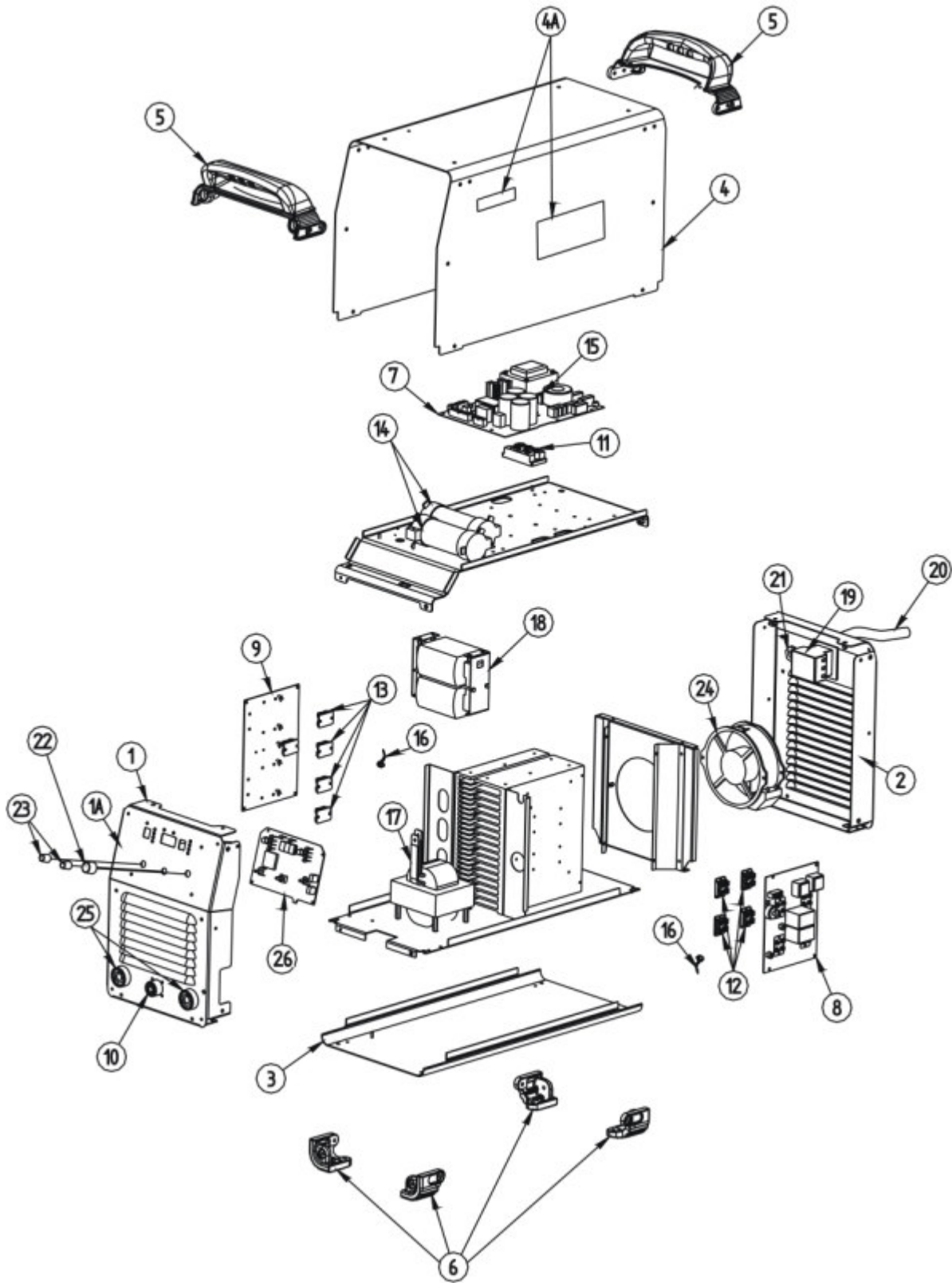


Figure B

Figure B: Machine Assembly

Item	Description	Part Number	QTY	1	2	3	4	5	6
1	FRONT FRAME	W93X1139R	1	X					
1A	+ FRONT NAMEPLATE	+ W07X1054R	1	X					
2	REAR FRAME	W93X1140R	1	X					
3	BOTTOM FRAME	W93X1142R	1	X					
4	WRAPAROUND	W93X1141R	1	X					
4A	+ KIT SIDE NAMEPLATES INVERTEC	+ W07X1186R	2	X					
5	FRONT / REAR HANDLE	W95X1150R	1	X					
6	KIT 4 ANTI-SLIP FOOT	W95X1147R	4	X					
7	INPUT P.C. BOARD	W05X0855-2R	1	X					
8	INVERTER P.C. BOARD WITH IGBTs	W05X0857-5R	1	X					
9	OUTPUT P.C. BOARD WITH DIODEs AND IGBT	W05X1043R	1	X					
10	REMOTE P.C. BOARD	W05X0322R	1	X					
11	POWER INPUT BRIDGE	W4100012R	1	X					
12	POWER IGBTs	W4300070R	4	X					
13	POWER DIODEs	W4010040R	4	X					
14	D.C. BUS SCREW CAPACITOR	W3488222R	2	X					
15	AUXILIARY FUSE	W7300500R	1	X					
16	THERMOSTAT SENSOR	W9600081R	2	X					
17	OUT INDUCTOR	W58X1019R	1	X					
18	OUT TRANSFORMER	W59X1020R	1	X					
19	SWITCH	W7511706R	1	X					
20	INPUT CORD	W78X0853R	1	X					
21	CABLE CLAMP	W8403222R	1	X					
22	KNOB LARGE	W8700030R	1	X					
23	KNOB SMALL	W8700016R	2	X					
24	FAN	W7200006R	1	X					
25	DINSE CONNECTOR	W7690350R	2	X					
26	DISPLAY BOARD	W05X1026R	1	X					