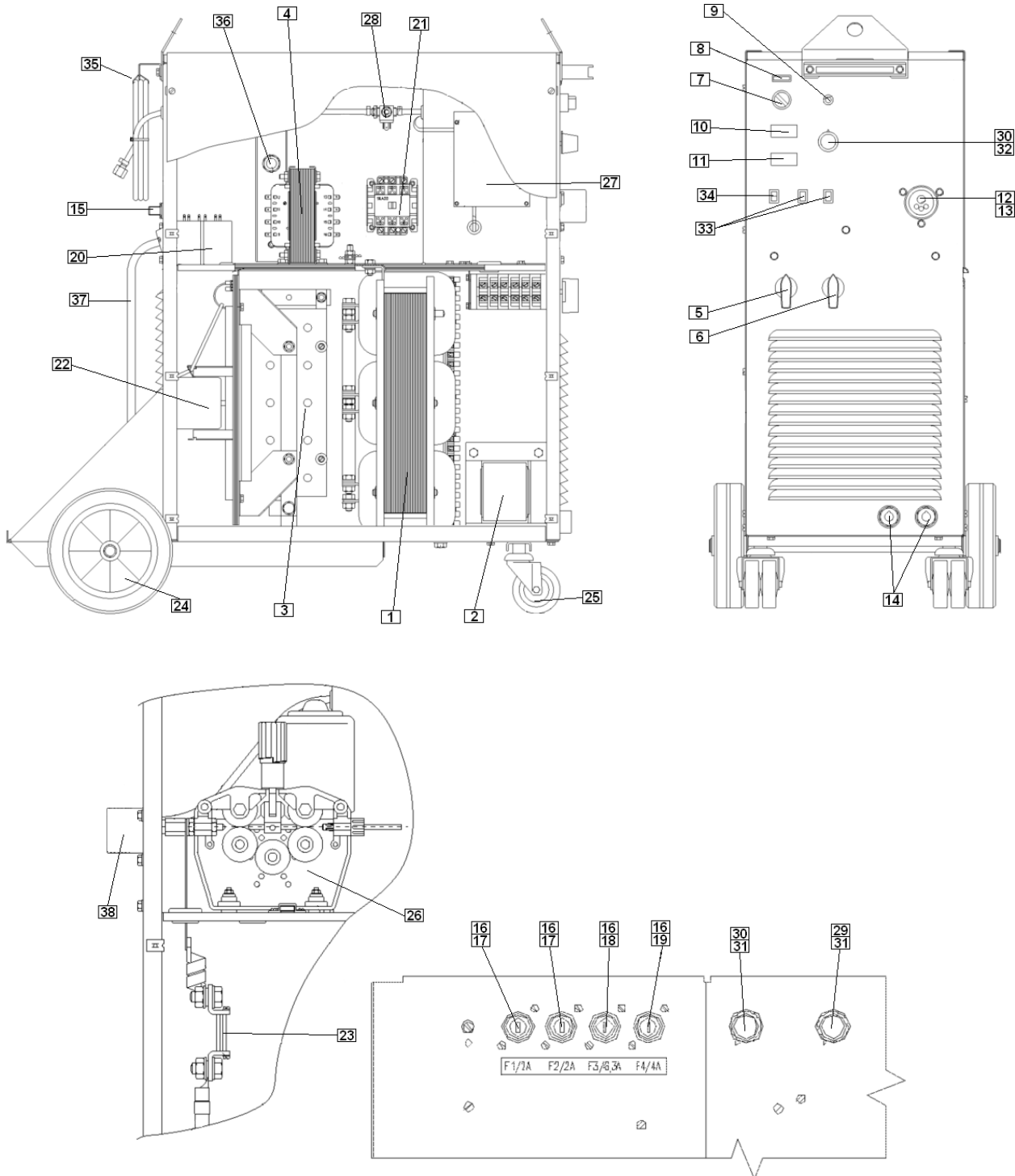


CODE 1040

ASSEMBLY PAGE NAME			Machine Assembly
CODE NO.: 1040	B NO.: B18021-1	FIGURE NO.: MAGSTER 350 C	A 1



POS	DESCRIPTION	ITEM NUMBER	Q-TY	1	
1	Main transformer T1	B-4247-316-1R	1	X	
	Temperature sensor 120°C	1115-769-124R	1	X	
2	Choke L	Not available	-	-	
	Temperature sensor 120°C	1115-769-124R	1	X	
3	Rectifier set	B-4639-196-1R	1	X	
	Temperature sensor 103°C	1115-769-087R	1	X	
4	Auxiliary transformer T2	C-4244-296-2R	1	X	
5	Switch S1	1115-260-177R	1	X	
6	Switch S2	1115-260-171R	1	X	
7	main switch S3	1115-299-095R	1	X	
	connector with short-circuit channel	1115-299-101R	1	X	
	connector with short-circuit channel	1115-299-102R	1	X	
8	Lamp H1	0917-421-038R	1	X	
9	Lamp H2	0917-421-043R	1	X	
10	Digital ammeter P1	0918-432-063R	1	X	
11	Digital voltmeter P2	0918-432-062R	1	X	
12	Euro socket X1	C-2985-005-7R	1	X	
13	Outlet guide tube	D-1829-066-6R	1	X	
14	Socket X2, X3 (source)	C-2986-001-3R	2	X	
15	Socket X4	1158-641-003R	1	X	
16	Fuse socket	1158-632-009R	4	X	
17	Fuse F1, F2	1158-660-028R	2	X	
18	Fuse F3	1158-660-040R	1	X	
19	Fuse F4	1158-660-037R	1	X	
20	Capacitors C1, C2, C3	1158-121-010R	3	X	
21	Contacteur K1	1115-212-202R	1	X	
	Auxiliary kontakt	1115-212-205R	1	X	
22	Fan motor M1	D-4721-006-5R	1	X	
23	Shunt R1	0941-712-026R	1	X	
24	Well	1029-660-200R	2	X	
25	Turning well	1029-660-077R	2	X	
26	Feeding unit M2	0744-000-163R	1	X	
27	PC board	0918-432-060R	1	X	
28	Solenoid valve K2	0972-423-005R	1	X	
29	Potentiometr R3	1158-113-282R	1	X	
30	Potentiometr R6, R7	1158-113-304R	2	X	
31	Knob small	1158-910-043R	2	X	
32	Knob big	1158-910-025R	1	X	
33	Switch S4, S5	1115-270-064R	2	X	
34	Switch S6	1115-270-031R	1	X	
35	Chain	0652-410-003R	1	X	
36	Sleeve	C-3891-001-1R	1	X	
37	Mains cable	D-5578-066-1R	1	X	
38	Euro cover	1361-599-708R	1	X	